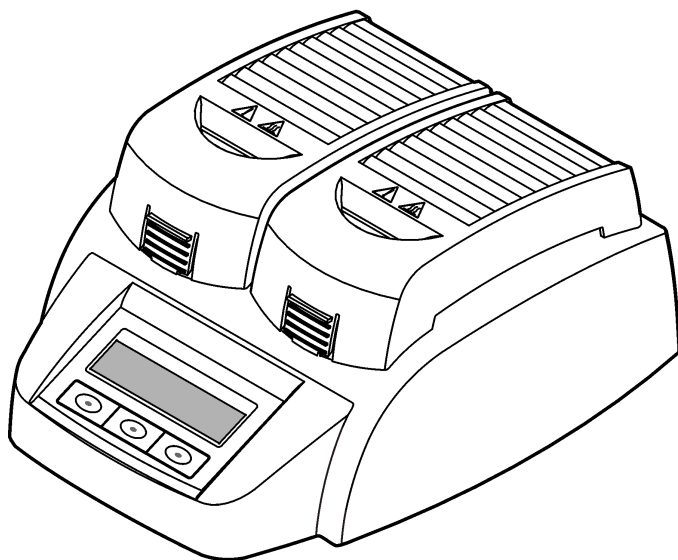




DOC022.97.80188

DRB 200

07/2021, Edition 5



User Manual
Manuel de l'utilisateur
Manual del usuario
Manual do Usuário
用户手册
取扱説明書
사용 설명서
คู่มือผู้ใช้
دليل المستخدم

Table of Contents

English.....	3
Français.....	13
Español.....	23
Português.....	33
中文.....	44
日本語.....	52
한국어.....	62
ไทย.....	72
العربية.....	82

Table of Contents

- | | |
|---|--|
| 1 Specifications on page 3 | 6 Operation on page 8 |
| 2 General information on page 3 | 7 Maintenance on page 10 |
| 3 Installation on page 5 | 8 Troubleshooting on page 11 |
| 4 User interface and navigation on page 7 | 9 Replacement parts and accessories on page 12 |
| 5 Startup on page 8 | |

Section 1 Specifications

Specifications are subject to change without notice.

Specification	Details
Dimensions	25 x 14.5 x 31 cm (9.8 x 5.7 x 12.2 in.)
Weight	Single heating block: 2 kg (4.4 lb) Dual heating block: 2.8 kg (6.17 lb)
Power requirements	100–240 V, +5%/–15%, 50/60 Hz, Protection Class I
Power input	Single heating block: 115 V: 300 VA; 230 V: 450 VA Dual heating block: 115 V: 600 VA; 230 V: 900 VA
Storage temperature	–40 to +60 °C (–40 to +140 °F)
Operating temperature	10 to 45 °C (50 to 113 °F)
Operating humidity	90% (non-condensing)
Temperature range	37 to 165 °C (98.6 to 329 °F) Timer: 0 to 480 minutes
Temperature stability	± 2 °C (± 3.5 °F)

Specification	Details
Heating rate	From 20 to 150 °C (68 to 302 °F) in 10 minutes
Certification	CE and cTUVus
Altitude	2000 m
Environmental conditions	Indoor use
Pollution degree	2
Overvoltage category	II
Enclosure rating	IP20

Section 2 General information

In no event will the manufacturer be liable for direct, indirect, special, incidental or consequential damages resulting from any defect or omission in this manual. The manufacturer reserves the right to make changes in this manual and the products it describes at any time, without notice or obligation. Revised editions are found on the manufacturer's website.

2.1 Safety information

The manufacturer is not responsible for any damages due to misapplication or misuse of this product including, without limitation, direct, incidental and consequential damages, and disclaims such damages to the full extent permitted under applicable law. The user is solely responsible to identify critical application risks and install appropriate mechanisms to protect processes during a possible equipment malfunction.

Please read this entire manual before unpacking, setting up or operating this equipment. Pay attention to all danger and caution statements. Failure to do so could result in serious injury to the operator or damage to the equipment.



Make sure that the protection provided by this equipment is not impaired. Do not use or install this equipment in any manner other than that specified in this manual.



2.1.1 Use of hazard information

⚠ DANGER
Indicates a potentially or imminently hazardous situation which, if not avoided, will result in death or serious injury.
⚠ WARNING
Indicates a potentially or imminently hazardous situation which, if not avoided, could result in death or serious injury.
⚠ CAUTION
Indicates a potentially hazardous situation that may result in minor or moderate injury.
NOTICE
Indicates a situation which, if not avoided, may cause damage to the instrument. Information that requires special emphasis.

2.1.2 Precautionary labels

Read all labels and tags attached to the instrument. Personal injury or damage to the instrument could occur if not observed. A symbol, if noted on the instrument, will be included with a danger or caution statement in the manual.

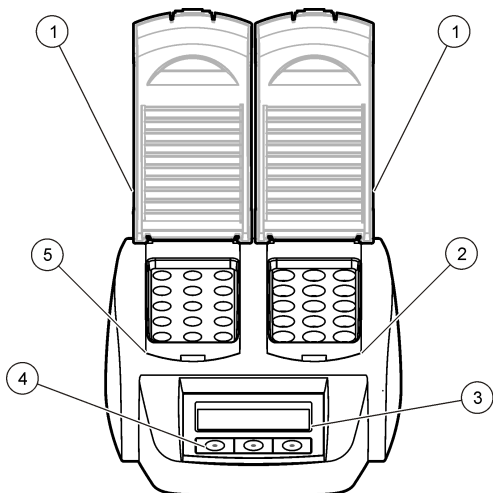
	This symbol, if noted on the instrument, references the instruction manual for operation and/or safety information.
	Electrical equipment marked with this symbol may not be disposed of in European domestic or public disposal systems. Return old or end-of-life equipment to the manufacturer for disposal at no charge to the user.

	This symbol indicates that the marked item can be hot and should not be touched without care.
	This symbol indicates that the marked item requires a protective earth connection. If the instrument is not supplied with a ground plug on a cord, make the protective earth connection to the protective conductor terminal.

2.2 Product overview

This instrument has one or two heating blocks that increase the temperature of solutions in round sample cells to a specified temperature for a specified time period (Figure 1). There are six stored temperature programs and three temperature programs that are configured by the user and saved.

Figure 1 Front view



1 Protective cover	3 Display	5 Left heating block
2 Right heating block	4 Keys	

Section 3 Installation

3.1 Install the protective covers

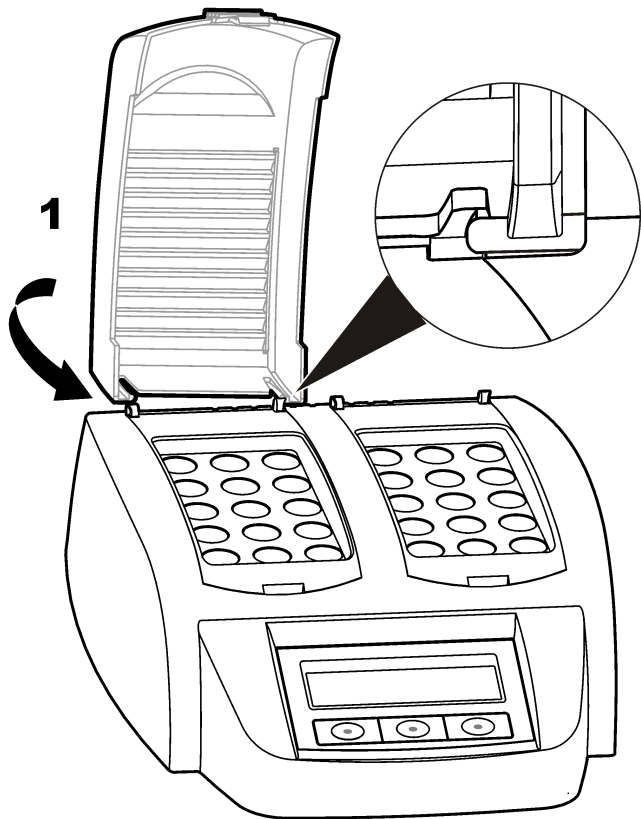
⚠ WARNING



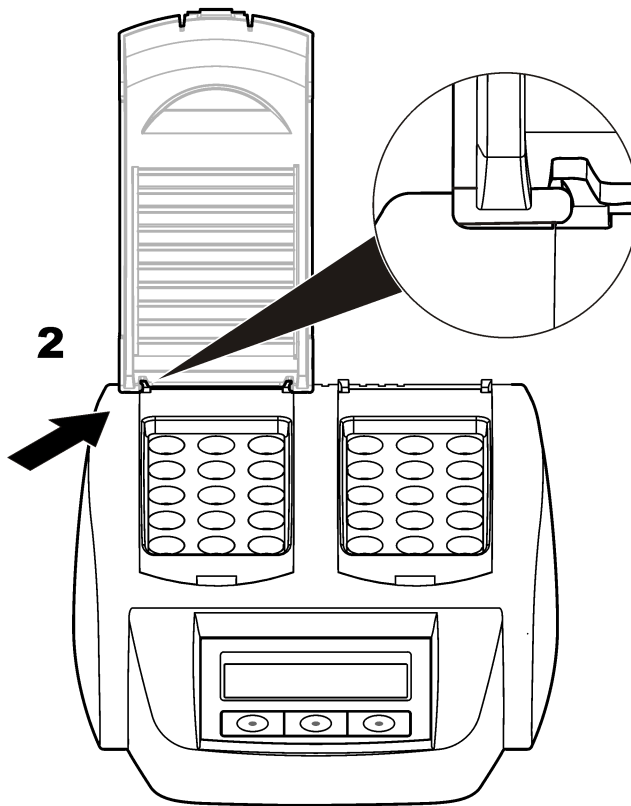
Shock and Burn Hazard. The protective cover must be installed to prevent personal injury. The protective cover prevents burns and power cord contact with the heating block.

Refer to the illustrated steps that follow.

1



2

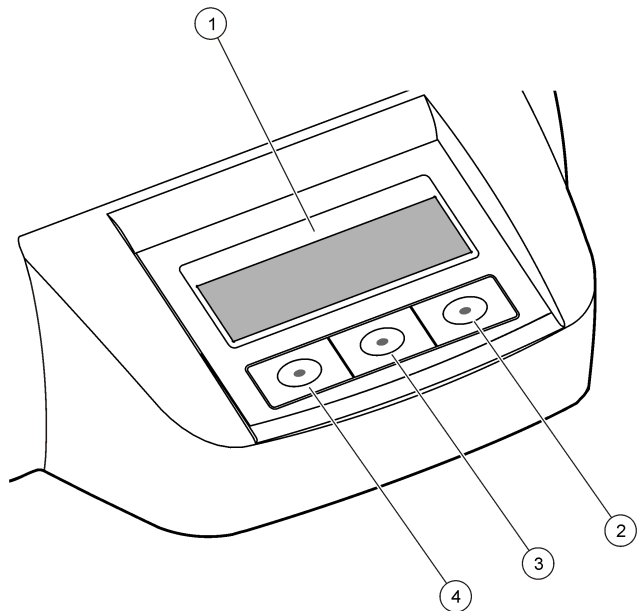


Section 4 User interface and navigation

4.1 User interface

The instrument is operated using three keys that are located below the display (Figure 2). The function of each key is shown on the display. If no function is shown for a key, that key is not currently active.

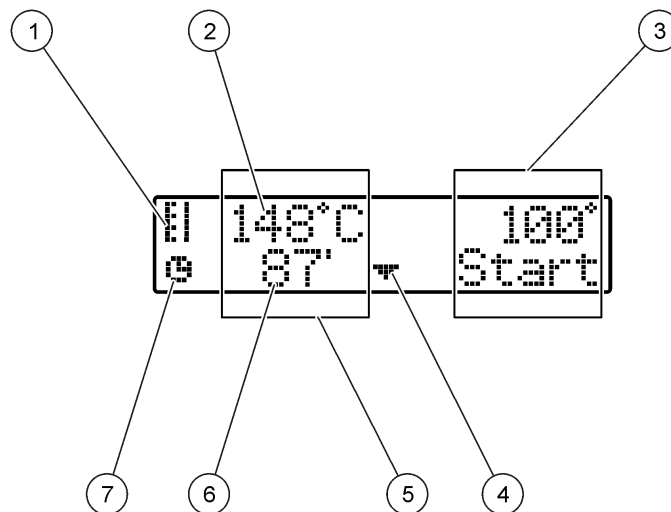
Figure 2 Keypad description



1 Display	3 Middle key
2 Right key	4 Left key

4.2 Display description

Figure 3 Screen display when a program is active on the left heating block only



1 Thermometer symbol	5 Left heating block
2 Temperature of heating block	6 Remaining time
3 Right heating block	7 Timer symbol
4 Down arrow key (use to select program)	

Table 1 Thermometer symbols

Symbol	Description
	The heating block is increasing in temperature.
	The heating block is at the selected temperature.
	The heating block is decreasing in temperature.

Section 5 Startup

5.1 Turn the instrument on

NOTICE

Do not turn the instrument off and on quickly as this can damage the instrument. Always wait about 20 seconds before turning the instrument on again.

1. Put the instrument on a stable, level, heat-resistant surface.
2. Connect the power cord to the power plug on the back of the instrument.
3. Connect the power cord to a power socket with earthing contact.
4. Push the power switch on the back of the instrument to turn the instrument on.

5.2 Select the language

To change the default language setting (English):

1. Hold down the left key and turn the instrument on.

2. Push the right arrow key to scroll through the menu. The display goes back to the start of the menu at the end of the menu.
3. When the correct language is shown, push the key for the language. Refer to [Table 2](#).

Table 2 Language settings

Setting	Language	Setting	Language
GB	English	E	Spanish
D	German	NL	Dutch
F	French	S	Swedish
I	Italian	PL	Polish

5.3 Set the display contrast

1. Hold down the middle key and turn the instrument on.
2. Push or hold down the up and down arrow keys to change the contrast value.
3. Push **OK** to save the change.

Section 6 Operation

⚠ DANGER



Chemical exposure hazard. Obey laboratory safety procedures and wear all of the personal protective equipment appropriate to the chemicals that are handled. Refer to the current safety data sheets (MSDS/SDS) for safety protocols.

⚠ WARNING

Pacemaker precautions. If electromagnetic interference (EMI) occurs, it can either:



- Stop the stimulating pulses from the pacemaker that control the rhythm of the heart.
- Cause the pacemaker to supply the pulses irregularly.
- Cause the pacemaker to ignore the rhythm of the heart and supply pulses at a set interval.

Current research shows that cellular devices are not a significant health problem for most pacemakers wearers. However, persons with pacemakers should use precautions to make sure that their device does not cause a problem. Keep the device a minimum of 20 cm (7.9 in.) from the user.

⚠ CAUTION



Electromagnetic radiation hazard. Make sure that the antenna is kept at a minimum distance of 20 cm (7.9 in.) from all personnel in normal use. The antenna cannot be co-located or operated in conjunction with any other antenna or transmitters.

6.1 Routine operation

⚠ CAUTION



Burn Hazard. Do not put a finger in an opening in the heating block. Close the protective cover before increasing the temperature of the heating block, and always keep the protective cover closed during operation.

⚠ CAUTION



Burn Hazard. Sample cells are hot. Wear thermal insulating material (e.g., gloves or finger cots). Do not remove a sample cell that is greater than 80 °C. Do not put a sample cell that is greater than 80 °C in a colorimeter.

⚠ CAUTION



Chemical Hazard. If a sample cell breaks, do not let the liquid touch skin. Use a fume hood as necessary to remove chemical fumes.

⚠ CAUTION



Chemical exposure hazard. Dispose of chemicals and wastes in accordance with local, regional and national regulations.

NOTICE

To prevent sample cell and instrument damage, keep the openings in the heating block dry. Dry the outside of sample cells fully.

NOTICE

To prevent instrument damage, immediately disconnect power if an accidental spill occurs or a sample cell breaks, then clean the instrument. Refer to [Clean the instrument](#) on page 11.

NOTICE

Do not cover the ventilation slits in the protective cover. The instrument and sample cells may become too hot and decrease the accuracy of measurement.

1. Prepare the test sample cells as specified in the analysis procedure.
2. Close the sample cells with the cap.
3. Dry the outside of the sample cells fully.
4. Turn the instrument on and open the protective cover. The last temperature program(s) selected is shown on the display.
5. If using 16 mm tubes with a heating block with 20 mm openings, put reducing adapters in the openings.
6. Select the correct temperature program (and digestion period if applicable) using the keys, then push **Start**. Refer to [Stored programs](#) on page 10. The temperature program is selected

independently for each heating block when there are two heating blocks.

Note: To stop a program, push the key below the program two times.

7. When the heating block is at the selected temperature (two beeps are heard), put the test sample cells in the correct heating block and close the protective cover.
8. Push **Start** to start the program.

The time counts down to zero (0). When the digestion program is completed, three beeps are heard and the heater turns off.

6.2 Stored programs

Table 3 gives descriptions of the stored temperature programs.

Table 3 Stored programs

Program	Description
COD	Increases the temperature of the sample cells to 150 °C for 120 minutes. In the cooling phase, four beeps are heard when the sample cells are at 120 °C. Remove and carefully invert the sample cells several times, before letting them decrease in temperature in a rack.
TOC	Increases the temperature of the sample cells to 105 °C for 120 minutes. The TOC temperature program can be used for all Hach TOC sample cell tests.
100 °C	Increases the temperature of the sample cells to 100 °C for 30, 60 or 120 minutes. For example, the "100 °C, 60 minutes" temperature program is used to: <ul style="list-style-type: none"> • Digest samples using the Metals Prep Set • Identify phosphate and chromium • Digest heavy metals
105 °C	Increases the temperature of the sample cells to 105 °C for 30, 60 or 120 minutes.

Table 3 Stored programs (continued)

Program	Description
150 °C	Increases the temperature of the sample cells to 150 °C for 30, 60 or 120 minutes.
165 °C	Increases the temperature of the sample cells to 165 °C for 30, 60 or 120 minutes.

6.3 User programs

The DRB 200 has three temperature programs that are configured by the user (PRG1–PRG3).

To configure a user temperature program:

1. Select a user temperature program using the keys.
2. Push **Prog** to enter programming mode.
3. Select a 4-character name for the program. Push the left key to change the character. Push the right arrow key to move the cursor to the next position. Push **OK** to save the change.
4. Push or hold down the up and down arrow keys to set the temperature (37 to 165 °C). Push **OK** to save the change.
5. Push or hold down the up and down arrow keys to set the time (0 to 480 minutes). Push **OK** to save the change.
6. Push **OK** to save the program.

Section 7 Maintenance

⚠ CAUTION



Multiple hazards. Only qualified personnel must conduct the tasks described in this section of the document.

NOTICE

Do not disassemble the instrument for maintenance. If the internal components must be cleaned or repaired, contact the manufacturer.

7.1 Clean the instrument

Keep the instrument clean to get continuous and accurate operation.

▲ CAUTION



Fire hazard. Do not use flammable agents to clean the instrument.

▲ CAUTION



Burn hazard. Do not clean the instrument when it is hot.

NOTICE

To prevent instrument damage, do not use cleaning agents such as turpentine, acetone or similar products to clean the instrument including the display.

1. Turn the instrument off and disconnect the power cord.
2. When the instrument is cool, clean the surface of the instrument with a soft, moist cloth and a weak soap solution. Make sure that no water gets into the instrument.

If the liquid in a sample cell spills or a sample cell breaks:

1. Turn the instrument off and disconnect the power cord.
2. Let the temperature of the heating block(s) and sample cells decrease until cool.
3. Remove the liquid with a pipette. Do not let the liquid touch skin.
4. Move the liquid to the correct disposal.
5. Remove broken glass using tweezers. Remove any remaining liquid on the instrument. Do not let the liquid touch skin.

7.2 Measure the temperature of the heating block

Measure the temperature of the heating block to make sure that the temperature shown on the display is correct.

The temperature shown on the display is the temperature in a closed sample cell that is filled with a liquid. While the temperature of the heating block is increasing, the temperature of the heating block, near the heater, may be greater than the temperature shown on the display.

Tools needed:

- Sample cell (2275800)
- Glycerol (anhydrous), 5 mL
- Thermometer, stem-type, calibrated for 95 to 170 °C (203 to 338 °F)

To measure the temperature of the heating block:

1. Fill a clean, empty sample cell with glycerol that is at room temperature.
2. Put the thermometer in the sample cell until the thermometer touches the bottom of the sample cell.
3. Make sure that the level of the glycerol is 56 mm ± 0.5 mm (2.20 in. ± 0.02 in.) from the bottom of the sample cell when the thermometer is in the sample cell.
4. Put the sample cell in the center opening of the second row of the heating block.
5. Select a temperature program of 150 °C for 60 minutes using the keys, then push **OK**.
6. When the heating block is at the selected temperature (two beeps are heard), the thermometer temperature should be the same as the temperature shown on the display.

Section 8 Troubleshooting

Refer to [Table 4](#) for error messages, possible causes and corrective actions.

Table 4 Error messages

Error	Solution
BLOCK IS TOO HOT! PLEASE WAIT	The temperature of the heating block is greater than the selected temperature. Wait until the temperature of the heating block decreases.
INIT ERROR	The instrument is defective. Contact Customer Service.

Section 9 Replacement parts and accessories

▲ WARNING



Personal injury hazard. Use of non-approved parts may cause personal injury, damage to the instrument or equipment malfunction. The replacement parts in this section are approved by the manufacturer.

Note: Product and Article numbers may vary for some selling regions. Contact the appropriate distributor or refer to the company website for contact information.

Replacement parts

Description	Quantity	Item no.
Protective cover	1	LZT048

Accessories

Description	Quantity	Item no.
Reducing adapter, 20 > 16 mm	1	HHA155
Reducing adapter, 16 > 13 mm	1	2895805
Tube, 16 x 100 mm	1	2275800
Tube, 16 x 100 mm	6	2275806
Thermometer, 0 to 200 °C	1	4565500

Table des matières

- | | |
|--|--|
| 1 Caractéristiques techniques à la page 13 | 6 Fonctionnement à la page 18 |
| 2 Généralités à la page 13 | 7 Maintenance à la page 21 |
| 3 Installation à la page 15 | 8 Dépannage à la page 22 |
| 4 Interface utilisateur et navigation à la page 17 | 9 Pièces de rechange et accessoires à la page 22 |
| 5 Mise en marche à la page 18 | |

Section 1 Caractéristiques techniques

Ces caractéristiques sont susceptibles d'être modifiées sans avis préalable.

Caractéristiques	Détails
Dimensions	25 x 14.5 x 31 cm (9.8 x 5.7 x 12.2 po)
Poids	Bloc de chauffage simple : 2 kg (4,4 lb) Bloc de chauffage double : 2,8 kg (6,17 lb)
Alimentation électrique	100–240 V, +5 %/–15 %, 50/60 Hz, Classe de protection I
Entrée alimentation secteur	Bloc de chauffage simple : 115 V : 300 VA ; 230 V : 450 VA Bloc de chauffage double : 115 V : 600 VA ; 230 V : 900 VA
Température de stockage	–40 à +60 °C (–40 à +140 °F)
Température de fonctionnement	10 à 45 °C (50 à 113 °F)
Taux d'humidité en fonctionnement	90 % max. (sans condensation)

Caractéristiques	Détails
Plage de température	37 à 165 °C (98.6 à 329 °F)
	Minuterie : 0 à 480 minutes
Stabilité de la température	± 2 °C (± 3.5 °F)
Vitesse de chauffage	De 20 à 150 °C (68 à 302 °F) en 10 minutes
Certification	CE et cTUVus
Altitude	2000 m
Conditions environnementales	Utilisation en intérieur
Niveau de pollution	2
Catégorie de surtension	II
Indice de protection du boîtier	IP20

Section 2 Généralités

En aucun cas le constructeur ne saurait être responsable des dommages directs, indirects, spéciaux, accessoires ou consécutifs résultant d'un défaut ou d'une omission dans ce manuel. Le constructeur se réserve le droit d'apporter des modifications à ce manuel et aux produits décrits, à tout moment, sans avertissement ni obligation. Les éditions révisées se trouvent sur le site Internet du fabricant.

2.1 Consignes de sécurité

Le fabricant décline toute responsabilité quant aux dégâts liés à une application ou un usage inappropriés de ce produit, y compris, sans toutefois s'y limiter, des dommages directs ou indirects, ainsi que des dommages consécutifs, et rejette toute responsabilité quant à ces dommages dans la mesure où la loi applicable le permet. L'utilisateur est seul responsable de la vérification des risques d'application critiques et de la mise en place de mécanismes de protection des processus en cas de défaillance de l'équipement.

Veillez lire l'ensemble du manuel avant le déballage, la configuration ou la mise en fonctionnement de cet appareil. Respectez toutes les déclarations de prudence et d'attention. Le non-respect de cette procédure peut conduire à des blessures graves de l'opérateur ou à des dégâts sur le matériel.

Assurez-vous que la protection fournie avec cet appareil n'est pas défectueuse. N'utilisez ni n'installez cet appareil d'une façon différente de celle décrite dans ce manuel.

2.1.1 Informations sur les risques d'utilisation

⚠ DANGER

Indique une situation de danger potentiel ou imminent qui, si elle n'est pas évitée, entraîne des blessures graves, voire mortelles.

⚠ AVERTISSEMENT

Indique une situation de danger potentiel ou imminent qui, si elle n'est pas évitée, peut entraîner des blessures graves, voire mortelles.

⚠ ATTENTION





Indique une situation de danger potentiel qui peut entraîner des blessures mineures ou légères.

AVIS

Indique une situation qui, si elle n'est pas évitée, peut occasionner l'endommagement du matériel. Informations nécessitant une attention particulière.

2.1.2 Etiquettes de mise en garde

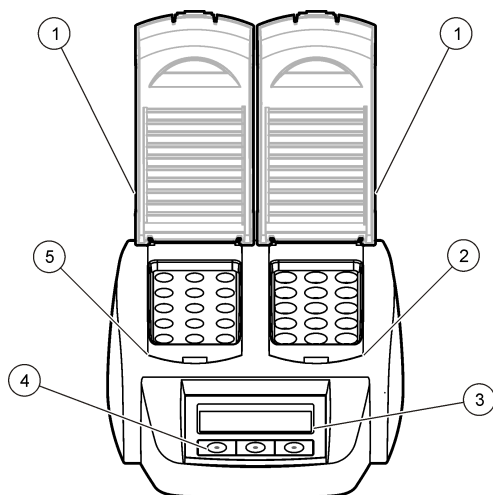
Lire toutes les étiquettes et tous les repères apposés sur l'instrument. Des personnes peuvent se blesser et le matériel peut être endommagé si ces instructions ne sont pas respectées. Les symboles apposés sur l'appareil sont complétés par un paragraphe Danger ou Attention dans le manuel.

	Si l'appareil comporte ce symbole, reportez-vous au manuel d'instructions pour consulter les informations de fonctionnement et de sécurité.
	Le matériel électrique portant ce symbole ne doit pas être mis au rebut dans les réseaux domestiques ou publics européens. Retournez le matériel usé ou en fin de vie au fabricant pour une mise au rebut sans frais pour l'utilisateur.
	Ce symbole indique que l'élément signalé peut être chaud et que des précautions doivent être prises avant de le toucher.
	Ce symbole indique que l'élément marqué nécessite une connexion de protection à la terre. Si l'appareil n'est pas fourni avec une mise à la terre sur un cordon, effectuez la mise à la terre de protection sur la borne de conducteur de protection.

2.2 Présentation du produit

Cet appareil comporte un ou deux bloc(s) de chauffage qui font augmenter la température des solutions dans les cuves d'échantillon arrondies jusqu'à une température spécifiée pendant une durée déterminée (Figure 1). Il existe six programmes de température en mémoire et trois programmes de température configurés par l'utilisateur et enregistrés.

Figure 1 Vue avant



Section 3 Installation

3.1 Installer les couvercles de protection

⚠ AVERTISSEMENT

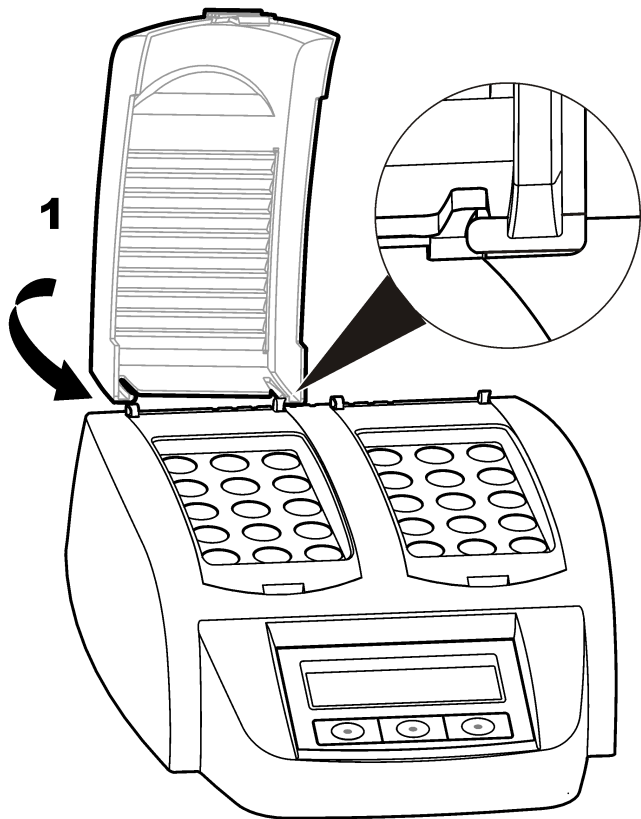


Risque de brûlure et de choc électrique. Le couvercle de protection doit être installé pour éviter les risques de blessure. Le couvercle de protection empêche les brûlures et tout contact entre le cordon d'alimentation et le bloc de chauffage.

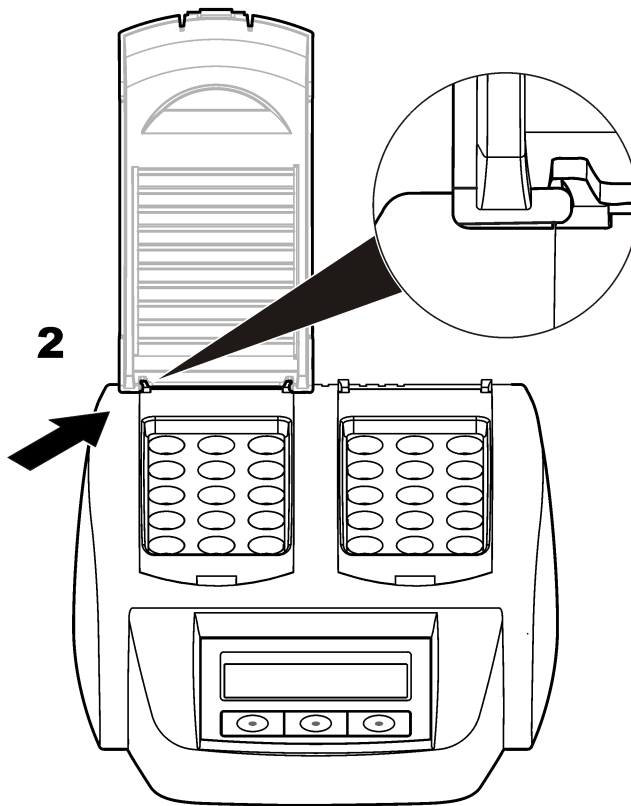
Reportez-vous aux étapes illustrées ci-dessous.

1 Couvercle de protection	3 Ecran	5 Bloc de chauffage gauche
2 Bloc de chauffage droit	4 Touches	

1



2

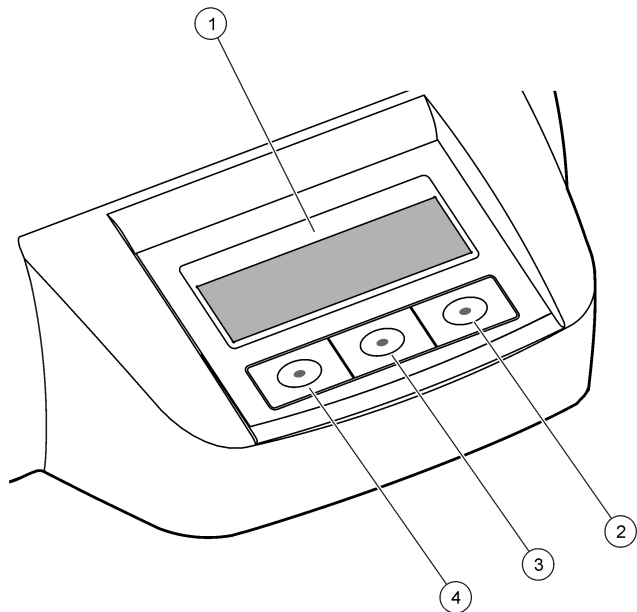


Section 4 Interface utilisateur et navigation

4.1 Interface utilisateur

L'appareil est commandé à l'aide de trois touches situées sous l'écran d'affichage (Figure 2). La fonction de chaque touche est affichée à l'écran. Si aucune fonction n'est affichée pour une touche, cela signifie que la touche n'est pas active.

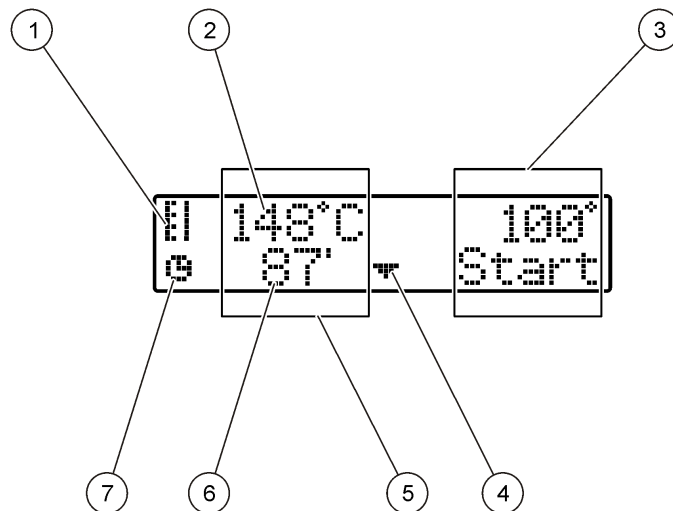
Figure 2 Description du clavier



1 Ecran	3 Touche du milieu
2 Touche droite	4 Touche gauche

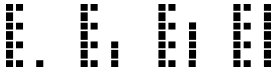
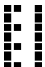
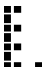
4.2 Description de l'affichage

Figure 3 Affichage sur l'écran lorsqu'un programme est actif sur le bloc de chauffage gauche uniquement



1 Symbole du thermomètre	5 Bloc de chauffage gauche
2 Température du bloc de chauffage	6 Temps restant
3 Bloc de chauffage droit	7 Symbole de la minuterie
4 Touche fléchée vers le bas (pour sélectionner le programme)	

Tableau 1 Symboles du thermomètre

Symbole	Description
	La température du bloc de chauffage augmente.
	Le bloc de chauffage est à la température sélectionnée.
	La température du bloc de chauffage baisse.

Section 5 Mise en marche

5.1 Mettre l'appareil sous tension

AVIS

Ne pas éteindre et rallumer l'appareil rapidement sous peine d'endommager l'appareil. Toujours attendre 20 secondes avant de rallumer l'appareil.

1. Placer l'appareil sur une surface plane, stable et résistante à la chaleur.
2. Brancher le cordon d'alimentation sur la prise d'alimentation à l'arrière de l'appareil.
3. Connecter le cordon d'alimentation à une prise de courant mise à la terre.
4. Appuyer sur l'interrupteur marche/arrêt à l'arrière de l'appareil pour allumer l'appareil.

5.2 Sélectionner la langue

Pour modifier le paramètre de langue par défaut (anglais) :

1. Maintenir la touche gauche enfoncée et allumer l'appareil.
2. Appuyer sur la touche fléchée vers la droite pour faire défiler le menu. A la fin, l'écran revient au début du menu.
3. Lorsque la langue souhaitée est affichée, appuyer sur la touche correspondant à la langue. Reportez-vous à la [Tableau 2](#).

Tableau 2 Paramètres de langue

Réglages	Langue	Réglages	Langue
GB	Anglais	E	Espagnol
D	Allemand	NL	Néerlandais
F	Français	S	Suédois
I	Italien	PL	Polonais

5.3 Réglage du contraste de l'écran

1. Maintenir enfoncée la touche du milieu et allumer l'appareil.
2. Appuyer sur les touches fléchées vers le haut et vers le bas ou les maintenir enfoncées pour modifier la valeur de contraste.
3. Appuyer sur **OK** pour enregistrer la modification.

Section 6 Fonctionnement

⚠ DANGER



Risque d'exposition chimique. Respectez les procédures de sécurité du laboratoire et portez tous les équipements de protection personnelle adaptés aux produits chimiques que vous manipulez. Consultez les fiches de données de sécurité (MSDS/SDS) à jour pour connaître les protocoles de sécurité applicables.

⚠ AVERTISSEMENT



Précautions relatives aux stimulateurs cardiaques. Si des interférences électromagnétiques (IEM) se produisent, elles peuvent :

- Interrompre les impulsions du stimulateur cardiaque qui contrôle le rythme du cœur.
- Perturber la régularité des impulsions du stimulateur cardiaque.
- Empêcher le stimulateur cardiaque de tenir compte du rythme du cœur, l'obligeant à donner des impulsions à un intervalle défini.

Des recherches en cours montrent que les appareils cellulaires ne posent pas de problème de santé significatif pour les porteurs de stimulateur cardiaque. Cependant, les personnes portant un stimulateur cardiaque doivent faire preuve de prudence et s'assurer que leur appareil ne leur pose pas de problème. Maintenez l'appareil à une distance d'au moins 20 cm (7,9 pouces) de l'utilisateur.

⚠ ATTENTION



Risque lié au rayonnement électromagnétique. Assurez-vous que l'antenne se trouve à une distance minimum de 20 cm (7,9 pouces) de l'ensemble du personnel dans des conditions d'utilisation dites normales. L'antenne ne peut pas être colocalisée ou utilisée en combinaison avec une autre antenne ou d'autres transmetteurs.

6.1 Fonctionnement normal

⚠ ATTENTION



Risque de brûlure Ne pas mettre les doigts dans un des orifices du bloc de chauffage. Fermer le couvercle de protection avant d'augmenter la température du bloc de chauffage et toujours maintenir le couvercle de protection fermé pendant le fonctionnement.

⚠ ATTENTION



Risque de brûlure Les cuves d'échantillons sont chaudes. Porter des vêtements isolants (par ex. gants ou doigtiers). Ne pas déposer une cuve d'échantillon dont la température dépasse 80 °C. Ne pas placer une cuve d'échantillon dont la température dépasse 80 °C dans un colorimètre.

⚠ ATTENTION



Danger chimique En cas de rupture d'une cuve d'échantillon, éviter tout contact du liquide avec la peau. Utiliser une hotte de captation des fumées pour éliminer les vapeurs chimiques.

⚠ ATTENTION



Risque d'exposition chimique. Mettez au rebut les substances chimiques et les déchets conformément aux réglementations locales, régionales et nationales.

AVIS

Maintenir les orifices du bloc de chauffage secs pour éviter d'endommager la cuve d'échantillon et l'appareil. Sécher complètement l'extérieur des cuves d'échantillons.

AVIS

Pour éviter d'endommager l'appareil, débrancher immédiatement le cordon d'alimentation si du liquide est renversé accidentellement ou en cas de rupture d'une cuve d'échantillon, puis nettoyer l'appareil. Reportez-vous à la [Nettoyer l'instrument](#) à la page 21.

AVIS

Ne pas couvrir les fentes de ventilation du couvercle de protection. L'appareil et les cuves d'échantillons risqueraient de surchauffer, ce qui réduirait la précision des mesures.

1. Préparer les cuves d'échantillons d'essai comme spécifié dans la procédure d'analyse.
2. Fermer les cuves d'échantillons avec le capuchon.

3. Sécher complètement l'extérieur des cuves d'échantillons.
4. Démarrer l'appareil et ouvrir le couvercle de protection. Les derniers programmes de température sélectionnés s'affichent à l'écran.
5. En cas d'utilisation de tubes de 16 mm avec un bloc de chauffage doté d'orifices de 20 mm, placer des adaptateurs réducteurs dans les orifices.
6. Sélectionner le programme de température approprié (et la période de digestion le cas échéant) à l'aide des touches, puis appuyer sur **Démarrer**. Reportez-vous à la [Programmes enregistrés](#) à la page 20. Le programme de température est sélectionné indépendamment pour chaque bloc de chauffage lorsque deux blocs de chauffage sont utilisés.

***Remarque :** Pour arrêter un programme, appuyer deux fois sur la touche située sous le programme.*

7. Lorsque le bloc de chauffage a atteint la température sélectionnée (deux bips sonores), placer les cuves d'échantillons d'essai dans le bloc de chauffage approprié et fermer le couvercle de protection.
8. Appuyer sur **Start** (Démarrer) pour démarrer le programme. Le compte à rebours jusqu'à zéro (0) est lancé. Lorsque le programme de digestion est terminé, trois signaux sonores retentissent et le système de chauffage s'arrête.

6.2 Programmes enregistrés

Tableau 3 fournit des descriptions des programmes de température enregistrés.

Tableau 3 Programmes enregistrés

Programme	Description
DCO	Accroît la température des cellules d'échantillons jusqu'à 150 °C pendant 120 minutes. Dans la phase de refroidissement, quatre bips sonores sont émis lorsque les cellules d'échantillons sont à 120 °C. Déposer et inverser les cellules d'échantillons avec précaution plusieurs fois avant de les laisser refroidir sur une étagère.
COT	Accroît la température des cellules d'échantillons jusqu'à 105 °C pendant 120 minutes. Le programme de température TOC peut être utilisé pour tous les essais de cellules d'échantillons TOC Hach.
100 °C	Accroît la température des cellules d'échantillons jusqu'à 100 °C pendant 30, 60 ou 120 minutes. Par exemple, le programme de température « 100 °C, 60 minutes » est utilisé pour : <ul style="list-style-type: none"> • Digérer des échantillons à l'aide du kit de préparation des métaux ; • Identifier les phosphates et le chrome ; • Digérer les métaux lourds.
105 °C	Accroît la température des cellules d'échantillons jusqu'à 105 °C pendant 30, 60 ou 120 minutes.
150 °C	Accroît la température des cellules d'échantillons jusqu'à 150 °C pendant 30, 60 ou 120 minutes.
165 °C	Accroît la température des cellules d'échantillons jusqu'à 165 °C pendant 30, 60 ou 120 minutes.


6.3 Programmes utilisateur

Le DRB 200 compte trois programmes de température configurés par l'utilisateur (PRG1–PRG3).

Pour configurer un programme de température défini par l'utilisateur :

1. Sélectionner un programme de température défini par l'utilisateur à l'aide des touches.
2. Appuyer sur **Prog** pour activer le mode programmation.
3. Sélectionner un nom à 4 caractères pour le programme. Appuyer sur la touche gauche pour modifier le caractère. Appuyer sur la touche fléchée vers la droite pour déplacer le curseur jusqu'à la position suivante. Appuyer sur **OK** pour enregistrer la modification.
4. Appuyer sur les touches fléchées vers le haut et vers le bas ou les maintenir enfoncées pour régler la température (37 à 165 °C). Appuyer sur **OK** pour enregistrer la modification.
5. Appuyer sur les touches fléchées vers le haut et vers le bas ou les maintenir enfoncées pour régler la durée (0 à 480 minutes). Appuyer sur **OK** pour enregistrer la modification.
6. Appuyer sur **OK** pour enregistrer le programme.


Section 7 Maintenance


⚠ ATTENTION	
	Dangers multiples. Seul le personnel qualifié doit effectuer les tâches détaillées dans cette section du document.

AVIS	
Ne pas démonter l'appareil pour entretien. Si les composants internes doivent être nettoyés ou réparés, contacter le fabricant.	

7.1 Nettoyer l'instrument

Maintenir l'appareil propre pour garantir un fonctionnement continu et correct.

⚠ ATTENTION	
	Risque d'incendie. Ne pas utiliser d'agents inflammables pour nettoyer l'appareil.

⚠ ATTENTION	
	Risque de brûlure. Ne pas nettoyer l'appareil lorsqu'il est chaud.

AVIS	
Pour éviter d'endommager l'appareil, ne pas utiliser d'agents nettoyants tels que de la térébenthine, de l'acétone ou tout autre produit similaire pour nettoyer l'appareil, y compris l'écran.	

1. Eteindre l'appareil et débrancher le cordon d'alimentation.
2. Une fois l'appareil refroidi, nettoyer la surface de l'appareil à l'aide d'un chiffon doux et humide, imbibé d'une solution savonneuse non détergente. Vérifier que l'eau ne pénètre pas dans l'appareil.

Si le liquide présent dans une cuve d'échantillon se renverse ou en cas de rupture d'une cuve d'échantillon :

1. Eteindre l'appareil et débranchez le cordon d'alimentation.
2. Attendre que la température du ou des bloc(s) de chauffage et des cuves d'échantillons baisse.
3. Retirer le liquide à l'aide d'une pipette. Eviter tout contact du liquide avec la peau.
4. Mettre le liquide au rebut de manière appropriée.
5. Retirer tout fragment de verre à l'aide d'une pince à épiler. Eliminer tout résidu de liquide sur l'appareil. Eviter tout contact du liquide avec la peau.

7.2 Mesurer la température du bloc de chauffage.

Mesurer la température du bloc de chauffage pour s'assurer que la température affichée à l'écran est correcte.

La température affichée à l'écran est la température à l'intérieur d'une cuve d'échantillon fermée remplie de liquide. Lorsque la température du bloc de chauffage augmente, la température à proximité du chauffage peut être supérieure à celle affichée.

Outils nécessaires :

- Cuve d'échantillon (2275800)
- Glycérol (anhydre), 5 ml
- Thermomètre, type tige, étalonné pour 95 à 170 °C (203 à 338 °F)

Pour mesurer la température du bloc de chauffage :

1. Remplir une cuve d'échantillon vide propre avec du glycérol à température ambiante.
2. Placer le thermomètre dans la cuve d'échantillon jusqu'à ce qu'il touche le fond de celle-ci.
3. Vérifier que le niveau de glycérol est à 56 mm ± 0,5 mm (2,20 po ± 0,02 po) du fond de la cuve d'échantillon lorsque le thermomètre est dans la cellule.
4. Placer la cuve d'échantillon dans l'orifice central de la deuxième rangée du bloc de chauffage.
5. Sélectionner un programme de température de 150 °C pendant 60 minutes à l'aide des touches, puis appuyer sur **OK**.
6. Lorsque le bloc de chauffage atteint la température sélectionnée (deux bips sonores), la température affichée sur le thermomètre doit être identique à celle affichée sur l'écran.

Section 8 Dépannage

Se reporter à [Tableau 4](#) pour les messages d'erreur, les causes possibles et les actions correctives.

Tableau 4 Messages d'erreur

Erreur	Solution
BLOC TROP CHAUD! ATTENDEZ	La température du bloc de chauffage est supérieure à la température sélectionnée. Attendre que la température du bloc de chauffage baisse.
INIT ERREUR	L'appareil est défectueux. Contacter le service client.

Section 9 Pièces de rechange et accessoires

▲ AVERTISSEMENT



Risque de blessures corporelles. L'utilisation de pièces non approuvées comporte un risque de blessure, d'endommagement de l'appareil ou de panne d'équipement. Les pièces de rechange de cette section sont approuvées par le fabricant.

Remarque : Les numéros de référence de produit et d'article peuvent dépendre des régions de commercialisation. Prenez contact avec le distributeur approprié ou consultez le site web de la société pour connaître les personnes à contacter.

Pièces de rechange

Description	Quantité	Article n°
Couvercle de protection	1	LZT048

Accessoires

Description	Quantité	Article n°
Adaptateur réducteur, 20 > 16 mm	1	HHA155
Adaptateur réducteur, 16 > 13 mm	1	2895805
Tube, 16 x 100 mm	1	2275800
Tube, 16 x 100 mm	6	2275806
Thermomètre, 0 à 200 °C	1	4565500

Tabla de contenidos

- | | |
|--|--|
| 1 Especificaciones
en la página 23 | 6 Operación en la página 28 |
| 2 Información general
en la página 23 | 7 Mantenimiento en la página 31 |
| 3 Instalación en la página 25 | 8 Solución de problemas
en la página 32 |
| 4 Interfaz del usuario y navegación
en la página 27 | 9 Piezas de repuesto y accesorios
en la página 32 |
| 5 Puesta en marcha
en la página 28 | |

Sección 1 Especificaciones

Las especificaciones están sujetas a cambios sin previo aviso.

Especificación	Detalles
Dimensiones	25 x 14,5 x 31 cm (9,8 x 5,7 x 12,2 pulg.)
Peso	Bloque calefactor individual: 2 kg (4,4 lb) Bloque calefactor dual: 2,8 kg (6,17 lb)
Requisitos de alimentación	100 – 240 V, +5%/–15%, 50/60 Hz, Clase de protección I
Entrada de alimentación	Bloque calefactor individual: 115 V: 300 VA; 230 V: 450 VA Bloque calefactor dual: 115 V: 600 VA; 230 V: 900 VA
Temperatura de almacenamiento	–40 a +60 °C (–40 a +140 °F)
Temperatura de funcionamiento	10 a 45 °C (50 a 113 °F)

Especificación	Detalles
Humedad de funcionamiento	90% (sin condensación)
Rango de temperatura	De 37 a 165 °C (de 98,6 a 329 °F)
	Temporizador: 0 a 480 minutos
Estabilidad de la temperatura	± 2 °C (± 3,5 °F)
Tasa de calentamiento	De 20 a 150 °C (de 68 a 302 °F) en 10 minutos
Certificación	CE y cTUVus
Altitud	2000 m
Condiciones ambientales	Uso en interiores
Grado de contaminación	2
Categoría de sobretensión	II
Grado de protección	IP20

Sección 2 Información general

En ningún caso el fabricante será responsable de ningún daño directo, indirecto, especial, accidental o resultante de un defecto u omisión en este manual. El fabricante se reserva el derecho a modificar este manual y los productos que describen en cualquier momento, sin aviso ni obligación. Las ediciones revisadas se encuentran en la página web del fabricante.

2.1 Información de seguridad

El fabricante no es responsable de ningún daño debido a un mal uso de este producto incluyendo, sin limitación, daños directos, fortuitos o circunstanciales y reclamaciones sobre los daños que no estén recogidos en la legislación vigente. El usuario es el único responsable de identificar los riesgos críticos y de instalar los mecanismos

adecuados de protección de los procesos en caso de un posible mal funcionamiento del equipo.

Sírvase leer todo el manual antes de desembalar, instalar o trabajar con este equipo. Ponga atención a todas las advertencias y avisos de peligro. El no hacerlo puede provocar heridas graves al usuario o daños al equipo.

Asegúrese de que la protección proporcionada por el equipo no está dañada. No utilice ni instale este equipo de manera distinta a lo especificado en este manual.

2.1.1 Uso de la información relativa a riesgos

▲ PELIGRO

Indica una situación potencial o de riesgo inminente que, de no evitarse, provocará la muerte o lesiones graves.

▲ ADVERTENCIA

Indica una situación potencial o inminentemente peligrosa que, de no evitarse, podría provocar la muerte o lesiones graves.

▲ PRECAUCIÓN





Indica una situación potencialmente peligrosa que podría provocar una lesión menor o moderada.

AVISO

Indica una situación que, si no se evita, puede provocar daños en el instrumento. Información que requiere especial énfasis.

2.1.2 Etiquetas de precaución

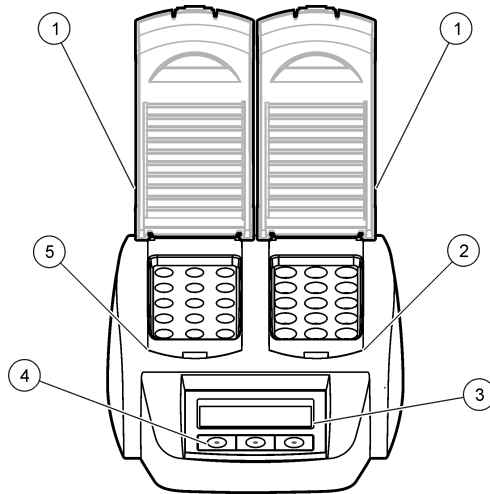
Lea todas las etiquetas y rótulos adheridos al instrumento. En caso contrario, podrían producirse heridas personales o daños en el instrumento. Se incluye un símbolo, en caso de estar rotulado en el equipo, con una indicación de peligro o de advertencia en el manual.

	Este símbolo (en caso de estar colocado en el equipo) hace referencia a las instrucciones de uso o a la información de seguridad del manual.
	En Europa, el equipo eléctrico marcado con este símbolo no se debe desechar mediante el servicio de recogida de basura doméstica o pública. Devuelva los equipos viejos o que hayan alcanzado el término de su vida útil al fabricante para su eliminación sin cargo para el usuario.
	Este símbolo indica que la pieza marcada podría estar caliente y que debe tocarse con precaución.
	Este símbolo indica que el objeto marcado requiere una toma a tierra de seguridad. Si el instrumento no se suministra con un cable con enchufe de toma a tierra, realice la conexión a tierra de protección al terminal conductor de seguridad.

2.2 Descripción general del producto

El instrumento tiene uno o dos bloques calefactores que aumentan la temperatura de las soluciones de cubetas de muestra redondas hasta alcanzar una temperatura especificada durante un periodo de tiempo especificado (Figura 1). Hay seis programas de temperatura guardados y tres programas de temperatura configurados por el usuario y guardados.

Figura 1 Vista frontal



Sección 3 Instalación

3.1 Instale las cubiertas protectoras

⚠ ADVERTENCIA

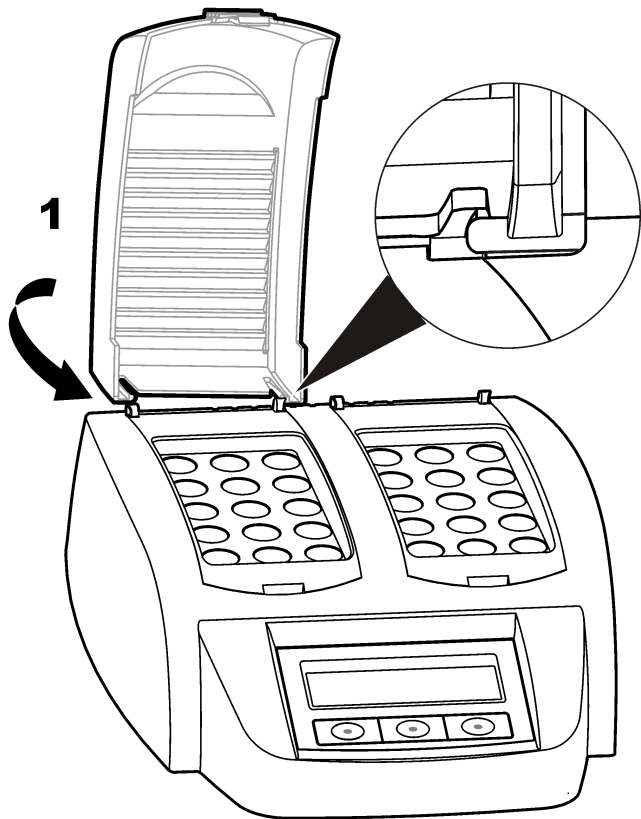


Peligro de quemadura y descarga. Se debe instalar la cubierta protectora para evitar lesiones personales. La cubierta protectora evita que se produzcan quemaduras y que el cable de alimentación entre en contacto con el bloque calefactor.

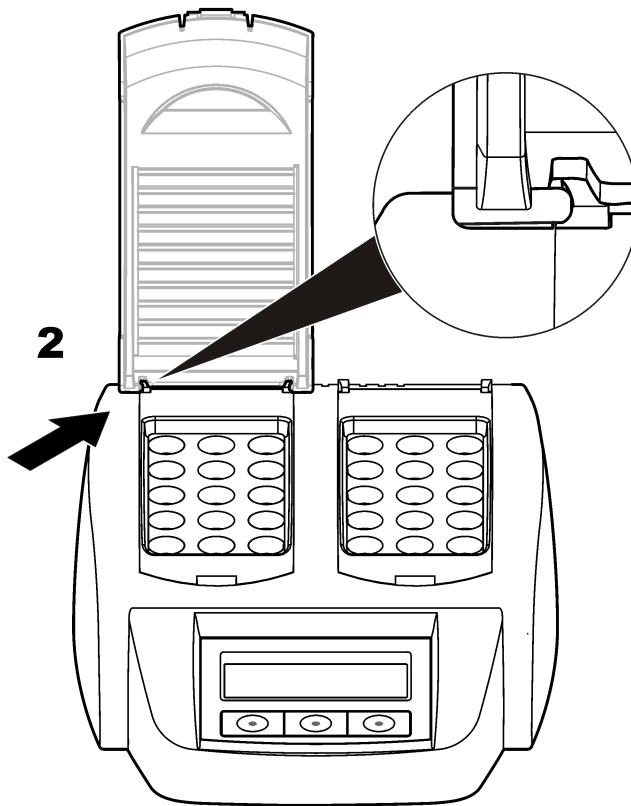
Consulte los pasos ilustrados que se muestran a continuación.

1 Cubierta protectora	3 Pantalla	5 Bloque calefactor izquierdo
2 Bloque calefactor derecho	4 Teclas	

1



2

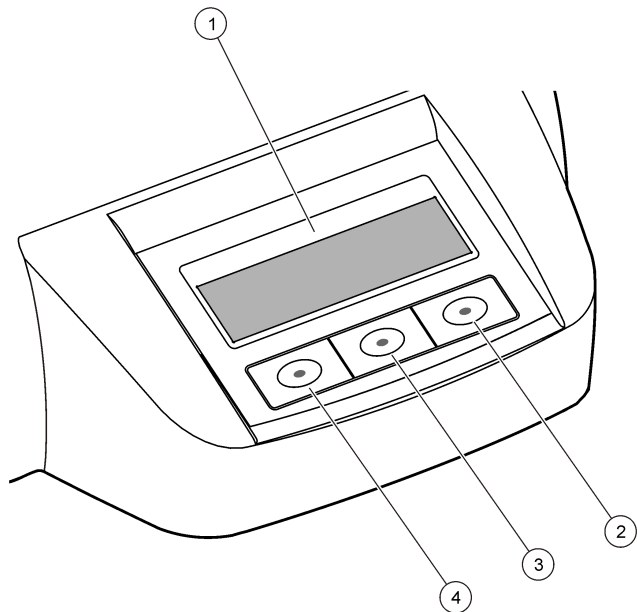


Sección 4 Interfaz del usuario y navegación

4.1 Interfaz del usuario

El instrumento se maneja utilizando las tres teclas situadas debajo de la pantalla (Figura 2). La función de cada tecla se muestra en la pantalla. Si no se muestra ninguna función para la tecla, significa que dicha tecla no está activa en ese momento.

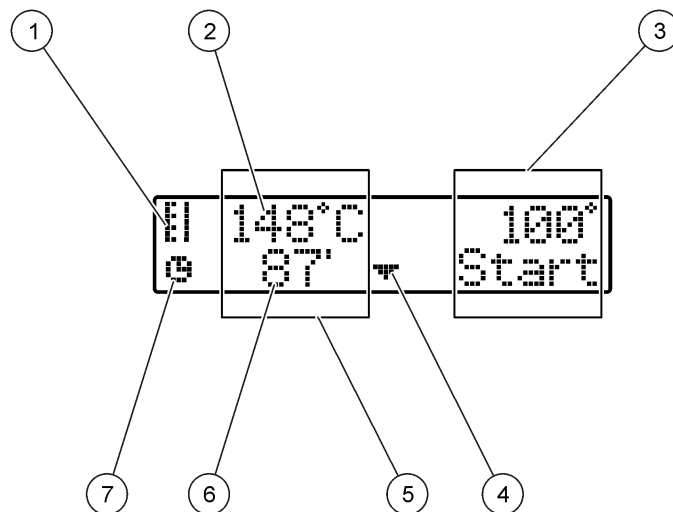
Figura 2 Descripción del teclado



1 Pantalla	3 Tecla central
2 Tecla derecha	4 Tecla izquierda

4.2 Descripción de la pantalla

Figura 3 Aspecto de la pantalla cuando hay un programa activo sólo en el bloque calefactor izquierdo



1 Símbolo del termómetro	5 Bloque calefactor izquierdo
2 Temperatura del bloque calefactor	6 Tiempo restante
3 Bloque calefactor derecho	7 Símbolo del temporizador
4 Tecla de flecha hacia abajo (utilízela para seleccionar el programa)	

Tabla 1 Símbolos del termómetro

Símbolo	Descripción
	El bloque calefactor aumenta de temperatura.
	El bloque calefactor tiene la temperatura seleccionada.
	El bloque calefactor disminuye de temperatura.

Sección 5 Puesta en marcha

5.1 Encendido del instrumento

AVISO

No apague y encienda el instrumento rápidamente, ya que podría causar daños al mismo. Espere siempre unos 20 segundos antes de volver a encender el instrumento.

1. Coloque el instrumento en una superficie estable, nivelada y resistente al calor.
2. Conecte el cable de alimentación al enchufe de la parte posterior del instrumento.
3. Conecte el cable de alimentación a la toma de corriente con conexión a tierra.
4. Pulse el interruptor situado en la parte posterior del instrumento para encenderlo.

5.2 Selección de idioma

Para cambiar la configuración de idioma predeterminado (inglés):

1. Mantenga pulsada la tecla izquierda y encienda el instrumento.
2. Pulse la tecla de flecha derecha para desplazarse por el menú. La pantalla vuelve al inicio del menú al final de éste.
3. Cuando se muestre el idioma correcto, pulse la tecla para ese idioma. Consulte [Tabla 2](#).

Tabla 2 Configuración de idioma

Ajuste	Idioma	Ajuste	Idioma
GB	Inglés	E	Español
D	Alemán	NL	Holandés
F	Francés	S	Sueco
I	Italiano	PL	Polaco

5.3 Ajuste del contraste de la pantalla

1. Mantenga pulsada la tecla central y encienda el instrumento.
2. Mantenga pulsadas las teclas de flecha arriba y abajo para cambiar el valor de contraste.
3. Pulse **OK** para guardar los cambios.

Sección 6 Operación

⚠ PELIGRO



Peligro por exposición a productos químicos. Respete los procedimientos de seguridad del laboratorio y utilice el equipo de protección personal adecuado para las sustancias químicas que vaya a manipular. Consulte los protocolos de seguridad en las hojas de datos de seguridad actuales (MSDS/SDS).

⚠ ADVERTENCIA

Precauciones para el uso con marcapasos. Si se dan interferencias electromagnéticas (EMI), podrían:

- Detener los impulsos del marcapasos que controlan el ritmo cardíaco.
- Provocar que los estímulos del marcapasos sean irregulares.
- Provocar que el marcapasos ignore el ritmo cardíaco y transmita impulsos a un intervalo fijo.



Según investigaciones recientes, los dispositivos móviles no suponen un problema de salud importante para las personas con marcapasos. No obstante, los usuarios con marcapasos deben extremar las precauciones para asegurarse de que su dispositivo no tenga problemas. Mantenga el dispositivo alejado a un mínimo de 20 cm (7,9 pulg.) del usuario.

⚠ PRECAUCIÓN



Peligro de radiación electromagnética. Asegúrese de que la antena se mantiene a una distancia mínima de 20 cm (7,9 pulg.) de todo el personal durante el uso normal. La antena no puede colocarse ni utilizarse conjuntamente con ninguna otra antena o transmisor.

6.1 Funcionamiento rutinario

⚠ PRECAUCIÓN



Peligro de quemadura. No introduzca los dedos en ninguna abertura del bloque calefactor. Cierre la cubierta protectora antes de que aumente la temperatura del bloque calefactor, y manténgala siempre cerrada durante su funcionamiento.

⚠ PRECAUCIÓN



Peligro de quemadura. Las cubetas de muestra están calientes. Protéjase con material aislante térmico (p. ej., guantes o dediles). No retire la cubeta de muestra si su temperatura supera los 80 °C. No coloque una cubeta de muestra con una temperatura superior a 80 °C en un colorímetro.

⚠ PRECAUCIÓN



Peligro químico. Si la cubeta de muestra se rompe, evite que el líquido entre en contacto con la piel. Si es necesario, utilice una campana extractora para eliminar los humos químicos.

⚠ PRECAUCIÓN



Peligro por exposición a productos químicos. Deshágase de los productos químicos y los residuos de acuerdo con las normativas locales, regionales y nacionales.

AVISO

Para evitar que la cubeta de muestra y el instrumento sufran daños, mantenga secas las aberturas del bloque calefactor. Seque completamente la parte exterior de las cubetas de muestra.

AVISO

Para evitar que el instrumento sufra daños, desconecte inmediatamente la alimentación si se derrama líquido de forma accidental o si se rompe una cubeta de muestra y, a continuación, limpie el instrumento. Consulte [Limpieza del instrumento](#) en la página 31.

AVISO

No cubra las ranuras de ventilación de la cubierta protectora. Es posible que el instrumento y las cubetas de muestra se sobrecalienten y que la medición pierda exactitud.

1. Prepare las cubetas de muestra de prueba tal y como se especifica en el procedimiento de análisis.
2. Cierre las cubetas de muestra con la tapa.
3. Seque completamente la parte exterior de las cubetas de muestra.
4. Encienda el instrumento y abra la cubierta protectora. En la pantalla se muestra el último o últimos programas de temperatura seleccionados.
5. Si se utilizan tubos de 16 mm con un bloque calefactor con aberturas de 20 mm, coloque los adaptadores reductores en las aberturas.
6. Utilice las teclas para seleccionar el programa de temperatura correcto (y el tiempo de digestión, si corresponde) y, a continuación, pulse **Start** (Iniciar). Consulte [Programas guardados](#) en la página 30. Cuando hay dos bloques calefactores, se selecciona el programa de temperatura de forma independiente para cada uno de ellos.

Nota: Para detener un programa, pulse dos veces la tecla que aparece debajo del programa.

7. Cuando el bloque calefactor alcanza la temperatura seleccionada (se oyen dos pitidos), coloque las cubetas de muestra de prueba en el bloque calefactor correcto y cierre la cubierta protectora.
8. Pulse **Inic.** para iniciar el programa.
Comienza la cuenta atrás hasta llegar a cero (0). Cuando el programa de digestión finaliza, se oyen tres pitidos y el calentador se apaga.

6.2 Programas guardados

La [Tabla 3](#) ofrece descripciones de los programas de temperatura guardados.

Tabla 3 Programas guardados

Programa	Descripción
DQO	Aumenta la temperatura de las cubetas de muestras a 150 °C durante 120 minutos. En la fase de refrigeración, se oyen cuatro pitidos cuando las cubetas de muestras alcanzan una temperatura de 120 °C. Retire e invierta cuidadosamente las cubetas de muestras varias veces antes de que descienda de temperatura en el estante.
TOC	Aumenta la temperatura de las cubetas de muestras a 105 °C durante 120 minutos. El programa de temperatura TOC se puede utilizar para todas las pruebas de las cubetas de muestras TOC de Hach.
100 °C	Aumenta la temperatura de las cubetas de muestras a 100 °C durante 30, 60 o 120 minutos. Por ejemplo, el programa de temperatura de "100 °C, 60 minutos" se utiliza para: <ul style="list-style-type: none"> • Las muestras de digestión que utilizan el Conjunto de preparación de metales • Identificar el fosfato y el cromo • Digerir los metales pesados
105 °C	Aumenta la temperatura de las cubetas de muestras a 105 °C durante 30, 60 o 120 minutos.
150 °C	Aumenta la temperatura de las cubetas de muestras a 150 °C durante 30, 60 o 120 minutos.
165 °C	Aumenta la temperatura de las cubetas de muestras a 165 °C durante 30, 60 o 120 minutos.

6.3 Programas de usuario

El DRB 200 tiene tres programas de temperatura que configura el usuario (PRG1–PRG3).

Para configurar un programa de temperatura del usuario:

1. Utilice las teclas para seleccionar un programa de temperatura de usuario.
2. Pulse **Progr.** para acceder al modo de programación.
3. Seleccione un nombre de 4 caracteres para el programa. Pulse la tecla izquierda para cambiar el carácter. Pulse la tecla de flecha derecha para mover el cursor a la siguiente posición. Pulse **OK** para guardar el cambio.
4. Mantenga pulsadas las teclas de flecha arriba y abajo para ajustar la temperatura (de 37 a 165 °C). Pulse **OK** para guardar el cambio.
5. Mantenga pulsadas las teclas de flecha arriba y abajo para ajustar el tiempo (de 0 a 480 minutos). Pulse **OK** para guardar el cambio.
6. Pulse **OK** para guardar el programa.

Sección 7 Mantenimiento

⚠ PRECAUCIÓN



Peligros diversos. Solo el personal cualificado debe realizar las tareas descritas en esta sección del documento.

AVISO

No desmonte el instrumento para el mantenimiento. Si es necesario limpiar o reparar los componentes internos, póngase en contacto con el fabricante.

7.1 Limpieza del instrumento

Mantenga el instrumento limpio para que su funcionamiento sea continuo y preciso.

⚠ PRECAUCIÓN



Peligro de incendio. No utilice agentes inflamables para limpiar el instrumento.

⚠ PRECAUCIÓN



Peligro de quemadura. No limpie el instrumento cuando esté caliente.

AVISO

Para evitar que el instrumento sufra daños, no utilice agentes limpiadores como trementina, acetona o productos similares para limpiar el instrumento, incluida la pantalla.

1. Apague el instrumento y desconecte el cable de alimentación.
2. Cuando se enfríe el instrumento, limpie la superficie con un paño suave y húmedo, y una solución jabonosa suave. Asegúrese de que no cae agua dentro del instrumento.

Si se derrama líquido de una cubeta de muestra o ésta se rompe:

1. Apague el instrumento y desconecte el cable de alimentación.
2. Deje que se enfríen los bloques calefactores y las cubetas de muestra.
3. Retire el líquido con una pipeta. Evite que el líquido entre en contacto con la piel.
4. Deseche el líquido en su emplazamiento correspondiente.
5. Sírvasse de unas tenazas para desechar el cristal roto. Elimine los restos de líquido del instrumento. Evite que el líquido entre en contacto con la piel.

7.2 Medición de la temperatura del bloque calefactor

Mida la temperatura del bloque calefactor para asegurarse de que la temperatura que aparece en la pantalla es correcta.

La temperatura que aparece en la pantalla es la temperatura en una cubeta de muestra cerrada que se rellena con líquido. A medida que aumenta la temperatura del bloque calefactor, dicha temperatura, cerca del calefactor, puede ser superior a la temperatura que aparezca en la pantalla.

Herramientas necesarias:

- Cubeta de muestra (2275800)
- Glicerol (anhidro), 5 ml
- Termómetro, tipo vástago, calibrado para una temperatura de 95 a 170 °C (de 203 a 338 °F)

Para medir la temperatura del bloque calefactor:

1. Rellene una cubeta de muestra limpia y vacía con glicerol a temperatura ambiente.
2. Coloque el termómetro en una cubeta de muestra hasta que éste toque la parte inferior de la cubeta de muestra.
3. Asegúrese de que el nivel de glicerol es de 56 mm ± 0,5 mm (2,20 pulg. ± 0,02 pulg.) desde la parte inferior de la cubeta de muestra cuando el termómetro esté en la cubeta de muestra.
4. Coloque la cubeta de muestra en la abertura central de la segunda fila del bloque calefactor.
5. Seleccione un programa de temperatura de 150 °C durante 60 minutos utilizando las teclas y, a continuación, pulse **OK**.
6. Cuando el bloque calefactor alcance la temperatura seleccionada (se oyen dos pitidos), la temperatura del termómetro debe ser la misma que la temperatura que aparece en la pantalla.

Sección 8 Solución de problemas

Consulte la [Tabla 4](#) para conocer los mensajes de error, las posibles causas y las medidas correctoras.

Tabla 4 Mensajes de error

Error	Solución
BLOQ. MUY CALIENT ESPERE	La temperatura del bloque calefactor es superior a la temperatura seleccionada. Espere hasta que descienda la temperatura del bloque calefactor.
ERROR INICIAL.	El instrumento es defectuoso. Póngase en contacto con el servicio de atención al cliente.

Sección 9 Piezas de repuesto y accesorios

⚠ ADVERTENCIA



Peligro de lesión personal. El uso de piezas no aprobadas puede causar lesiones personales, daños al instrumento o un mal funcionamiento del equipo. Las piezas de repuesto que aparecen en esta sección están aprobadas por el fabricante.

Nota: Las referencias de los productos pueden variar para algunas regiones de venta. Póngase en contacto con el distribuidor correspondiente o visite la página web de la empresa para obtener la información de contacto.

Piezas de repuesto

Descripción	Cantidad	Referencia
Cubierta protectora	1	LZT048

Accesorios

Descripción	Cantidad	Referencia
Adaptador reductor, 20 > 16 mm	1	HHA155
Adaptador reductor, 16 > 13 mm	1	2895805
Tubo, 16 x 100 mm	1	2275800
Tubo, 16 x 100 mm	6	2275806
Termómetro, de 0 a 200 °C	1	4565500

Índice

- | | |
|---|--|
| 1 Especificações na página 33 | 6 Operação na página 38 |
| 2 Informações gerais na página 33 | 7 Manutenção na página 41 |
| 3 Instalação na página 35 | 8 Solução de problemas na página 42 |
| 4 Interface do usuário e navegação na página 37 | 9 Peças e acessórios de reposição na página 42 |
| 5 Inicialização na página 38 | |

Seção 1 Especificações

As especificações estão sujeitas a alterações sem aviso prévio.

Especificação	Detalhes
Dimensões	25 x 14,5 x 31 cm (9,8 x 5,7 x 12,2 pol.)
Peso	Único bloco de aquecimento: 2 kg (4,4 lb) Bloco de aquecimento duplo: 2,8 kg (6,17 lb)
Alimentação elétrica	100 a 240 V, +5%/–15%, 50/60 Hz, Classe de proteção I
Entrada de energia	Único bloco de aquecimento: 115 V: 300 VA; 230 V: 450 VA Bloco de aquecimento duplo: 115 V: 600 VA; 230 V: 900 VA
Temperatura de armazenamento	–40 a +60 °C (–40 a +140 °F)
Temperatura de operação	10 a 45°C (50 a 113°F)
Umidade de operação	90% (sem condensação)

Especificação	Detalhes
Faixa de temperatura	37 a 165 °C (98.6 a 329 °F)
	Cronômetro: 0 a 480 minutos
Estabilidade de temperatura	± 2 °C (±3,5 °F)
Taxa de aquecimento	De 20 a 150°C (68 a 302°F) em 10 minutos
Certificação	CE e cTUVus
Altitude	2000 m
Condições ambientais	Uso em ambientes internos
Grau de poluição	2
Capacidade de sobrecarga	II
Classificação do invólucro	IP20

Seção 2 Informações gerais

Em hipótese alguma o fabricante será responsável por danos diretos, indiretos, especiais, incidentais ou consequenciais resultantes de qualquer defeito ou omissão neste manual. O fabricante reserva-se o direito de fazer alterações neste manual e nos produtos aqui descritos a qualquer momento, sem aviso ou obrigação. As edições revisadas podem ser encontradas no site do fabricante.

2.1 Informações de segurança

O fabricante não é responsável por quaisquer danos devido ao uso ou aplicação incorreta deste produto, incluindo, sem limitação, danos diretos, acidentais ou consequenciais, e se isenta desses danos à extensão total permitida pela lei aplicável. O usuário é unicamente responsável por identificar riscos críticos de aplicação e por instalar os mecanismos apropriados para proteger os processos durante um possível mau funcionamento do equipamento.

Leia todo o manual antes de tirar da embalagem, montar ou operar esse equipamento. Preste atenção a todas as declarações de perigo e cuidado. Caso contrário, o operador poderá sofrer ferimentos graves ou o equipamento poderá ser danificado.

Certifique-se de que a proteção oferecida por este equipamento não seja afetada. Não use nem instale este equipamento de nenhuma outra forma além da especificada neste manual.

2.1.1 Uso de informações de risco

▲ PERIGO

Indica uma situação potencial ou iminente perigosa que, se não for evitada, resultará em morte ou lesão grave.

▲ ADVERTÊNCIA

Indica uma situação potencialmente perigosa que, se não for evitada, pode resultar em morte ou ferimento grave.

▲ CUIDADO





Indica uma situação potencialmente perigosa que pode resultar em ferimento leve a moderado.

AVISO

Indica uma situação que, se não evitada, pode causar danos ao instrumento. Informações que necessitam de uma ênfase especial.

2.1.2 Avisos de precaução

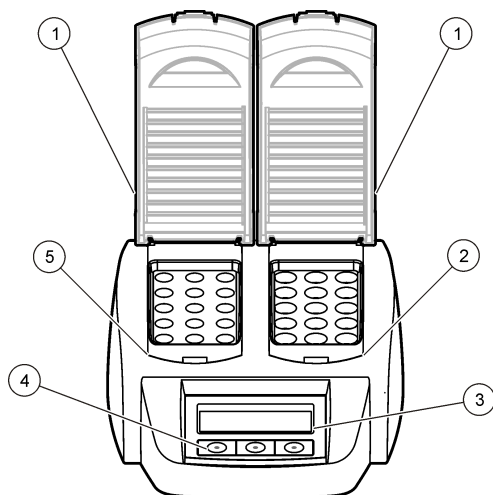
Leia todas as etiquetas e rótulos fixados no instrumento. Caso não sejam observados, podem ocorrer lesões pessoais ou danos ao instrumento. Se for observado algum símbolo no instrumento, haverá uma declaração de cuidado ou perigo no manual.

	Este símbolo, se observado no instrumento, diz respeito ao manual de instruções para operação e/ou informações de segurança.
	O equipamento elétrico marcado com este símbolo não pode ser descartado em sistemas de descarte público ou doméstico europeus. Devolva equipamentos antigos ou no final da vida útil para o fabricante para descarte, sem custo adicional para o usuário.
	Este símbolo indica que o item marcado pode estar quente e deve ser manuseado com cuidado.
	Este símbolo indica que o item marcado exige uma conexão terra de proteção. Se o instrumento não for fornecido com um conector ou cabo aterrado, faça o aterramento de proteção na conexão com o terminal condutor de proteção.

2.2 Visão geral do produto

Este instrumento possui um ou dois blocos de aquecimento que aumentam a temperatura das soluções em células de amostra redondas para uma temperatura especificada em um período especificado (Figura 1). Existem seis programas de temperatura armazenados e três programas de temperatura que são configurados pelo usuário e salvos.

Figura 1 Visualização frontal



1 Tampa de proteção	3 Tela	5 Bloco de aquecimento esquerdo
2 Bloco de aquecimento direito	4 Teclas	

Seção 3 Instalação

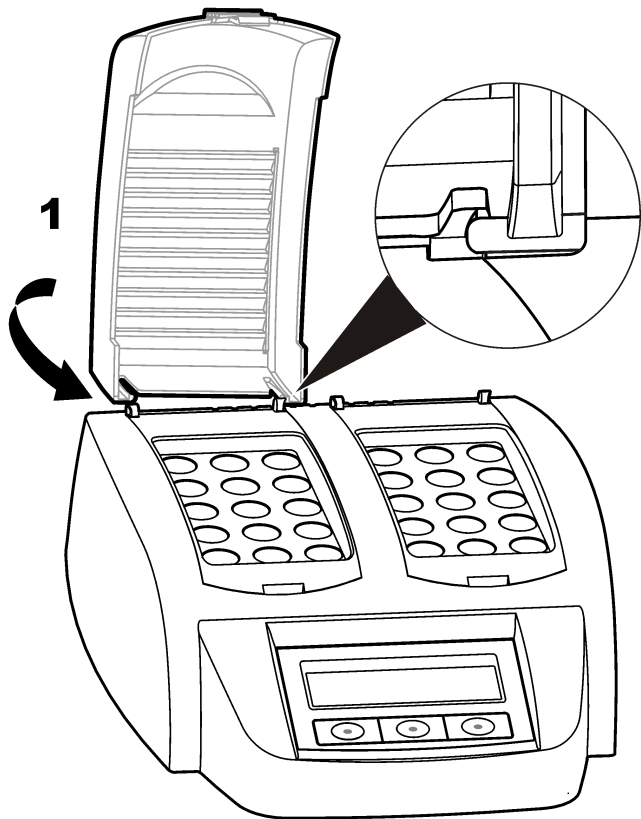
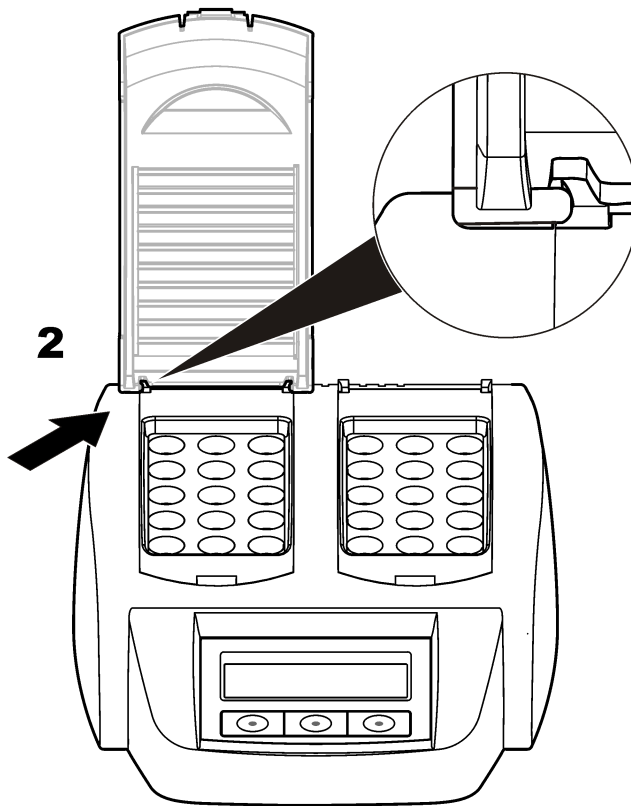
3.1 Instale as tampas de proteção

⚠ ADVERTÊNCIA



Risco de choque e queimadura. A tampa de proteção deve ser instalada para evitar ferimentos. A tampa protetora evita queimaduras e o contato do cabo de alimentação com o bloco de aquecimento.

Consulte as etapas ilustradas seguintes.

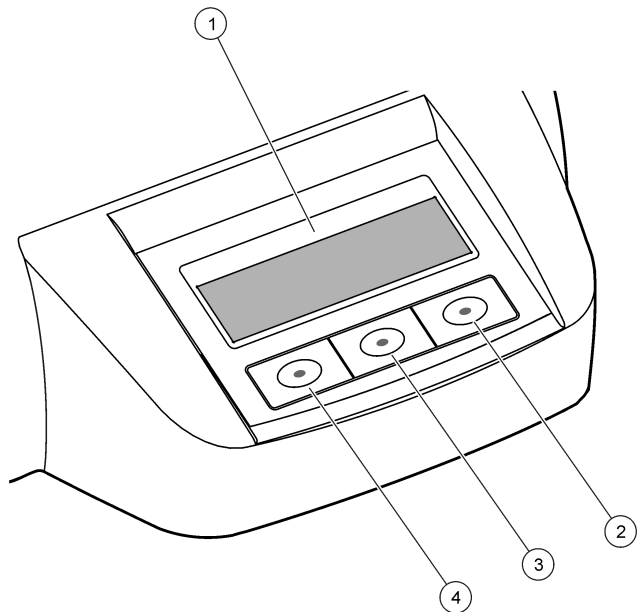
1**2**

Seção 4 Interface do usuário e navegação

4.1 Interface do usuário

O instrumento é operado com o uso de três teclas localizadas abaixo do monitor (Figura 2). A função de cada tecla é exibida no monitor. Se nenhuma função for exibida para uma tecla, significa que ela não está ativa nesse momento.

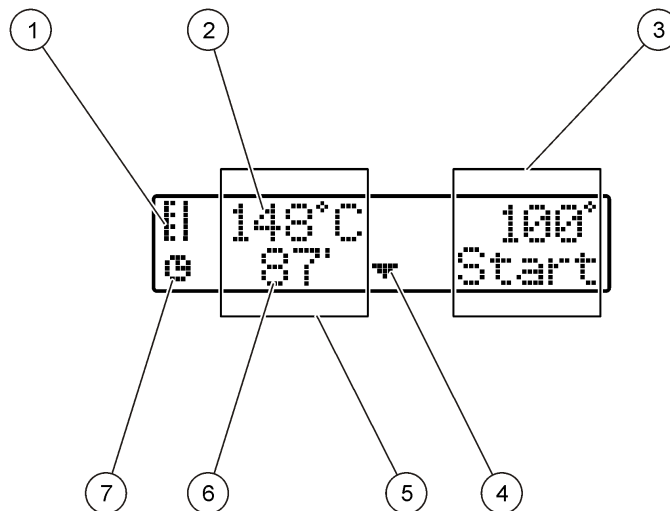
Figura 2 Descrição do teclado numérico



1 Tela	3 Tecla intermediária
2 Tecla direita	4 Tecla esquerda


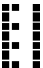

4.2 Descrição do visor

Figura 3 Exibição da tela quando um programa está ativo somente no bloco de aquecimento esquerdo



1 Símbolo do termômetro	5 Bloco de aquecimento esquerdo
2 Temperatura do bloco de aquecimento	6 Tempo restante
3 Bloco de aquecimento direito	7 Símbolo do cronômetro
4 Seta para baixo (use para selecionar o programa)	

Tabela 1 Símbolos de termômetro

Símbolo	Descrição
	A temperatura do bloco de aquecimento está aumentando.
	O bloco de aquecimento alcançou a temperatura selecionada.
	A temperatura do bloco de aquecimento está diminuindo.

Seção 5 Inicialização

5.1 Ligue o instrumento

AVISO

Não desligue e ligue o instrumento rapidamente, já que isso pode danificá-lo. Sempre aguarde cerca de 20 segundos antes de ligar o instrumento novamente.

1. Coloque o instrumento em uma superfície estável, nivelada e resistente ao calor.
2. Conecte o cabo de alimentação ao plugue de alimentação na parte traseira do instrumento.
3. Conecte o cabo de alimentação a uma tomada elétrica com contato de aterramento.
4. Empurre o interruptor liga/desliga na parte traseira do instrumento para ligá-lo.

5.2 Selecione o idioma

Para alterar a configuração de idioma padrão (Inglês):

1. Mantenha a tecla esquerda pressionada e ligue o instrumento.
2. Pressione a tecla de seta para a direita para navegar pelo menu. O monitor voltará para o início do menu na parte final do menu.
3. Quando o idioma correto for exibido, pressione a tecla desse idioma. Consulte [Tabela 2](#).

Tabela 2 Configurações de idioma

Configuração	Idioma	Configuração	Idioma
GB	Inglês	E	Espanhol
D	Alemão	NL	Holandês
F	Francês	S	Sueco
I	Italiano	PL	Polonês

5.3 Ajuste o contraste do monitor

1. Mantenha a tecla intermediária pressionada e ligue o instrumento.
2. Pressione ou mantenha as teclas para cima e para baixo pressionadas para alterar o valor de contraste
3. Pressione **OK** para salvar a alteração.

Seção 6 Operação

⚠ PERIGO



Risco de exposição a produtos químicos. Obedeça aos procedimentos de segurança laboratoriais e use todos os equipamentos de proteção individual adequados aos produtos químicos que estão sendo manipulados. Consulte as planilhas de dados de segurança (MSDS/SDS) atuais para verificar os protocolos de segurança.

⚠ ADVERTÊNCIA

Cuidados com marca-passo. Se ocorrer interferência eletromagnética (EMI), é possível:

- Interromper os pulsos estimulantes do marca-passo que controlam o ritmo do coração.
- Fazer com que o marca-passo forneça pulsos irregulares.
- Fazer com que o marca-passo ignore o ritmo do coração e forneça pulsos a um intervalo definido.



Pesquisas atuais mostram que aparelhos celulares não apresentam um problema significativo de saúde para portadores de marca-passo. No entanto, pessoas com marca-passo devem tomar precauções a fim de garantir que seus dispositivos não causem nenhum problema. Mantenha o dispositivo a um mínimo de 20 cm (7,9 pol.) de distância do usuário.

⚠ CUIDADO



Perigo de radiação eletromagnética. Certifique-se de que a antena seja mantida a uma distância mínima de 20 cm (7,9 pol.) de toda a equipe em uso normal. A antena não pode ser reposicionada ou operada em conjunto com qualquer outra antena ou com outros transmissores.

6.1 Operação de rotina

⚠ CUIDADO



Risco de queimadura. Não coloque o dedo em uma abertura no bloco de aquecimento. Feche a tampa de proteção antes de aumentar a temperatura do bloco de aquecimento e sempre mantenha a tampa de proteção fechada durante a operação.

⚠ CUIDADO



Risco de queimadura. As células de amostra ficam quentes. Use materiais de isolamento térmico (por exemplo, luvas ou protetores de dedo). Não remova uma célula de amostra com temperatura superior a 80°C. Não coloque uma célula de amostra com temperatura superior a 80°C em um colorímetro.

⚠ CUIDADO



Risco químico. Se uma célula de amostra for rompida, não deixe que o líquido entre em contato com a pele. Use uma capela, conforme necessário, para remover vapores químicos.

⚠ CUIDADO



Risco de exposição a produtos químicos. Descarte produtos químicos e dejetos de acordo com as regulamentações locais, regionais e nacionais.

AVISO

Para evitar danos à célula de amostra e ao instrumento, mantenha as aberturas do bloco de aquecimento secas. Seque totalmente a parte externa das células de amostra.

AVISO

Para evitar danos ao instrumento, desconecte a energia imediatamente se um derramamento acidental ocorrer ou uma célula de amostra for rompida. Em seguida, limpe o instrumento. Consulte [Como limpar o instrumento](#) na página 41.

AVISO

Não tampe as fendas de ventilação na tampa de proteção. O instrumento e as células de amostra podem ficar muito quentes e diminuir a precisão da medição.

1. Prepare as células de amostra de teste como especificado no procedimento de análise.
2. Feche as células de amostra com a tampa.
3. Seque totalmente a parte externa das células de amostra.
4. Ligue o instrumento e abra a tampa de proteção. O último programa de temperatura selecionado é mostrado no monitor.
5. No caso do uso de tubos de 16 mm com um bloco de aquecimento com aberturas de 20 mm, coloque os adaptadores de redução nas aberturas.
6. Selecione o programa de temperatura correto (e o período de digestão, se aplicável) usando as teclas e, em seguida, pressione **Iniciar**. Consulte [Programas armazenados](#) na página 40. O programa de temperatura é selecionado independentemente para cada bloco de aquecimento, caso existam dois blocos de aquecimento.
Observação: Para parar um programa, pressione a tecla abaixo do programa duas vezes.
7. Quando o bloco de aquecimento atingir a temperatura selecionada (dois bipes são emitidos), coloque as células de amostra de teste no bloco de aquecimento correto e feche a tampa de proteção.
8. Pressione **Start** (Iniciar) para iniciar o programa.
O tempo restante executa uma contagem regressiva até zero (0). Quando o programa de digestão estiver concluído, três bipes serão emitidos e o aquecedor será desligado.

6.2 Programas armazenados

A [Tabela 3](#) fornece descrições dos programas de temperatura armazenados.

Tabela 3 Programas armazenados

Programa	Descrição
COD	Aumenta a temperatura das células de amostra para 150°C por 120 minutos. Na fase de resfriamento, quatro bipes serão emitidos quando as células de amostra atingirem 120°C. Remova e inverta com cuidado as células de amostra várias vezes antes de deixar que sua temperatura diminua em uma pilha.
TCO	Aumenta a temperatura das células de amostra para 105°C por 120 minutos. O programa de temperatura TOC pode ser usado em todos os testes de células de amostra Hach TOC.
100°C	Aumenta a temperatura das células de amostra para 100°C por 30, 60 ou 120 minutos. Por exemplo, o programa de temperatura de "100°C, 60 minutos" é usado para: <ul style="list-style-type: none"> • Digerir células usando o Conjunto de prep. de metais • Identificar fosfato e cromo • Digerir metais pesados
105°C	Aumenta a temperatura das células de amostra para 105°C por 30, 60 ou 120 minutos.
150°C	Aumenta a temperatura das células de amostra para 150°C por 30, 60 ou 120 minutos.
165°C	Aumenta a temperatura das células de amostra para 165°C por 30, 60 ou 120 minutos.

6.3 Programas de usuário

O DRB 200 possui três programas de temperatura configurados pelo usuário (PRG1 a PRG3).

Para configurar um programa de temperatura do usuário:

1. Selecione um programa de temperatura do usuário usando as teclas.
2. Pressione **Prog** para inserir o modo de programação.
3. Selecione um nome de quatro caracteres para o programa. Pressione a tecla esquerda para alterar o caractere. Pressione a tecla de seta para a direita para mover o cursor para a próxima posição. Pressione **OK** para salvar a alteração.
4. Pressione ou mantenha as teclas para cima e para baixo pressionadas para configurar a temperatura (37 a 165°C). Pressione **OK** para salvar a alteração.
5. Pressione ou mantenha as teclas para cima e para baixo pressionadas para configurar o tempo (0 a 480 minutos). Pressione **OK** para salvar a alteração.
6. Pressione **OK** para salvar o programa.

Seção 7 Manutenção

⚠ CUIDADO



Vários perigos. Somente pessoal qualificado deve realizar as tarefas descritas nesta seção do manual.

AVISO

Não desmonte o instrumento para manutenção. Caso seja necessário limpar ou reparar componentes internos, entre em contato com o fabricante.

7.1 Como limpar o instrumento

Mantenha o instrumento limpo para obter uma operação contínua e precisa.

⚠ CUIDADO



Perigo de incêndio. Não use agentes inflamáveis para limpar o instrumento.

⚠ CUIDADO



Risco de queimadura. Não limpe o instrumento quando ele estiver quente.

AVISO

Para evitar danos ao instrumento, não use agentes de limpeza como terebintina, acetona ou produtos semelhantes para limpar o instrumento, inclusive o monitor.

1. Desligue o instrumento e desconecte o cabo de alimentação.
2. Depois que o instrumento esfriar, limpe sua superfície com um pano macio e umedecido com uma solução fraca de sabão. Não deixe entrar água no instrumento.

Se o líquido de uma célula de amostra for derramado ou se uma célula de amostra for rompida:

1. Desligue o instrumento e desconecte o cabo de alimentação.
2. Deixe a temperatura do(s) bloco(s) de aquecimento e das células de amostra diminuir até esfriar.
3. Remova o líquido com uma pipeta. Não deixe que o líquido entre em contato com a pele.
4. Mova o líquido para o descarte correto.
5. Remova o vidro quebrado usando pinças. Remova qualquer líquido restante no instrumento. Não deixe que o líquido entre em contato com a pele.

7.2 Meça a temperatura do bloco de aquecimento

Meça a temperatura do bloco de aquecimento para garantir que a temperatura mostrada no monitor está correta.

A temperatura mostrada no monitor é a temperatura de uma célula de amostra fechada preenchida com um líquido. Enquanto a temperatura do bloco de aquecimento estiver aumentando, a temperatura do bloco de aquecimento próxima ao aquecedor poderá ser superior à temperatura mostrada no monitor.

Ferramentas necessárias:

- Célula de amostra (2275800)
- Glicerol (sem água), 5 mL
- Termômetro, tipo sonda, calibrado para 95 a 170°C (203 a 338 °F)

Para medir a temperatura do bloco de aquecimento:

1. Preencha uma célula de amostra limpa e vazia com glicerol na temperatura ambiente.
2. Coloque o termômetro na célula de amostra até que ele toque sua superfície inferior.
3. Certifique-se de que o nível de glicerol seja 56 mm ± 0,5 mm (2,20 pol. ± 0,02 pol.) na parte inferior da célula de amostra quando o termômetro estiver no local.
4. Coloque a célula de amostra na abertura central da segunda fila do bloco de aquecimento.
5. Selecione um programa de temperatura de 150°C por 60 minutos usando as teclas e, em seguida, pressione **OK**.
6. Quando o bloco de aquecimento atingir a temperatura selecionada (dois bipes serão emitidos), a temperatura do termômetro deverá ser igual à temperatura mostrada no monitor.

Seção 8 Solução de problemas

Consulte a [Tabela 4](#) para obter mensagens de erro, possíveis causas e ações corretivas.

Tabela 4 Mensagens de erro

Error (Erro)	Solução
BLOCK IS TOO HOT! (O BLOCO ESTÁ MUITO QUENTE!) PLEASE WAIT (AGUARDE)	A temperatura do bloco de aquecimento está acima da temperatura selecionada. Aguarde até que a temperatura do bloco de aquecimento diminua.
INIT ERROR	O instrumento está com defeito. Entre em contato com o atendimento ao cliente.

Seção 9 Peças e acessórios de reposição

⚠ ADVERTÊNCIA



Risco de lesão corporal. O uso de peças não aprovadas pode causar lesões pessoais, danos ao instrumento ou mau funcionamento do equipamento. As peças de substituição nesta seção foram aprovadas pelo fabricante.

Observação: Os códigos dos produtos podem variar para algumas regiões. Entre em contato com o distribuidor apropriado ou consulte o website da empresa para obter informações de contato.

Peças de reposição

Descrição	Quantidade	Nº do item
Tampa de proteção	1	LZT048

Acessórios

Descrição	Quantidade	Nº do item
Adaptador de redução, 20 > 16 mm	1	HHA155
Adaptador de redução, 16 > 13 mm	1	2895805
Tubo, 16 x 100 mm	1	2275800
Tubo, 16 x 100 mm	6	2275806
Termômetro, 0 a 200 °C	1	4565500

目录

- 1 规格 第 44 页
- 2 基本信息 第 44 页
- 3 安装 第 45 页
- 4 用户界面及导航 第 47 页
- 5 启动 第 48 页
- 6 操作 第 48 页
- 7 维护 第 50 页
- 8 故障排除 第 51 页
- 9 备件与附件 第 51 页

第 1 节 规格

产品规格如有变化，恕不另行通知。

规格	详细信息
尺寸	25 x 14.5 x 31 厘米 (9.8 x 5.7 x 12.2 英寸)
重量	单加热区: 2 千克 (4.4 磅) 双加热区: 2.8 千克 (6.17 磅)
电源要求	100–240 V, +5%/–15%, 50/60 Hz, 保护等级 I
功率输入	单加热区: 115 V: 300 VA; 230 V: 450 VA 双加热区: 115 V: 600 VA; 230 V: 900 VA
存储温度	-40 至 +60 °C (-40 至 +140 °F)
工作温度	10 至 45 °C (50 至 113 °F)
工作湿度	90% (无冷凝)
温度范围	37 至 165 °C (98.6 至 329 °F) 计时器: 0 至 480 分钟
温度稳定性	± 2 °C (±3.5 °F)
加热速度	从 20 至 150 °C (68 至 302 °F) 需 10 分钟
认证	CE 和 cTUVus
海拔	2000 m

规格	详细信息
使用环境	室内使用
污染等级	2
超电压类别	II
外壳防护等级	IP20

第 2 节 基本信息

对于因本手册中的任何不足或遗漏造成的直接、间接、特别、附带或结果性损失，制造商概不负责。制造商保留随时更改本手册和手册中描述的产品权利，如有更改恕不另行通知或承担有关责任。修订版可在制造商的网站上找到。

2.1 安全信息

对于误用或滥用本产品造成的任何损坏，包括但不限于直接、附带和从属损害，制造商概不负责，并且在适用法律允许的最大范围内拒绝承认这些损害。用户自行负责识别关键应用风险并安装适当的保护装置，以确保在设备可能出现故障时保护工艺流程。

请在拆开本设备包装、安装或使用前，完整阅读本手册。特别要注意所有的危险警告和注意事项。否则，可能导致操作员受到严重伤害或设备受到损坏。

请确保产品拆开时的完整无损伤。请勿以本手册指定方式之外的其它方式使用或安装本设备。

2.1.1 危害指示标识说明

危险

表示潜在的或紧急的危险情况，如果不加以避免，将会导致死亡或严重伤害。

警告

表示潜在的或紧急的危险情况，如果不加以避免，将会导致死亡或严重伤害。

▲ 警告





表示潜在的危險情形，可能导致轻度或中度人身伤害。

注意

表明如不加以避免可能会导致仪器损坏的情况。此信息需要特别强调。

2.1.2 警告标签

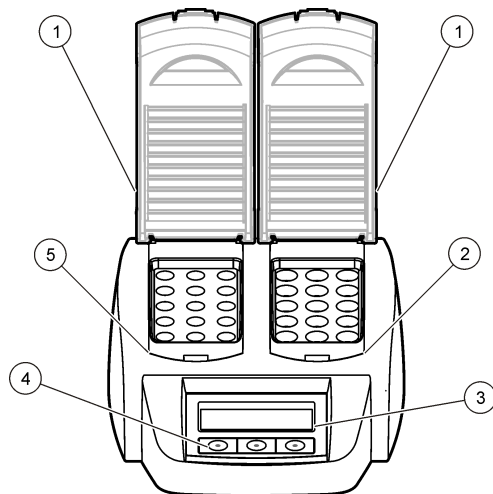
请阅读贴在仪器上的所有标签和标记。如果不遵守这些警告标签上的信息，则可能造成人身伤害或仪器损坏。对于仪器上标示的符号，请参阅手册中相应的危险声明或注意事项。

	当仪器上标示此符号时，表示需要遵守说明手册中的操作和/或安全信息。
	标有此符号的电气设备在欧洲不能通过家庭或公共垃圾系统进行处理。请将老旧或报废设备寄回至制造商处进行处置，用户无需承担费用。
	此符号指示标记的部件可能很热，接触时务必小心谨慎。
	此标志指示标记的项目需要保护性接地连接。如果仪器的电缆没有随附接地式插头，需确保保护导体端子连接了保护接地连接。

2.2 产品概述

此仪器配有一到两个加热区，可在指定时段内将圆形试样容器中的溶液加热到指定温度(图 1)。共有六个已存储的温度程序和三个由用户配置并保存的温度程序。

图 1 前视图



1 保护盖	3 显示屏	5 左加热区
2 右加热区	4 按键	

第 3 节 安装

3.1 安装保护盖

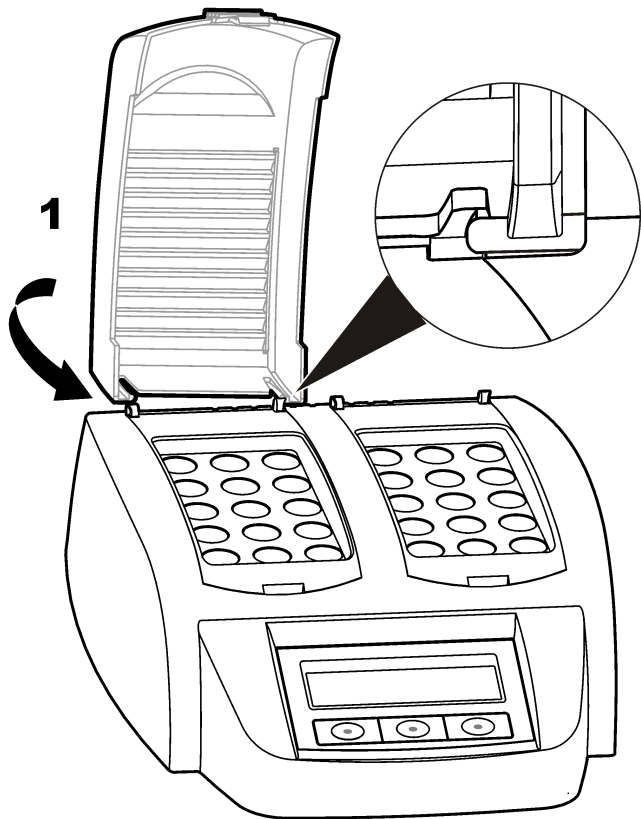
▲ 警告



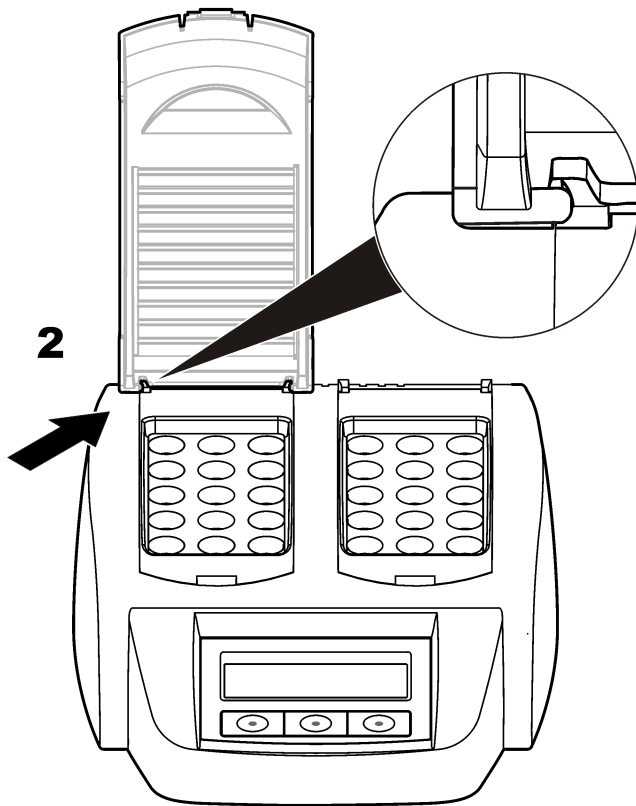
触电和烫伤危险。必须安装保护盖以避免人身伤害。保护盖可以防止烫伤并防止电源线接触加热区。

请参阅以下图示步骤。

1



2

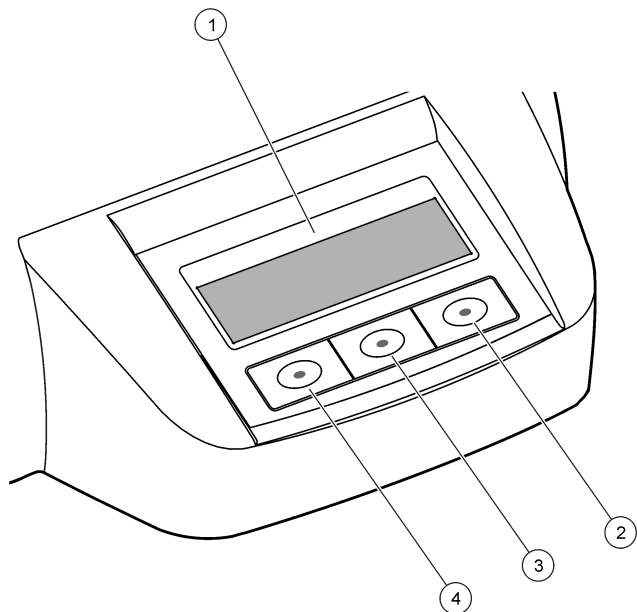


第 4 节 用户界面及导航

4.1 用户界面

使用显示屏下方的三个按键来操作仪器 (图 2)。各个按键的功能显示在显示屏上。如果未显示某个按键的功能,则表示该按键当前未激活。

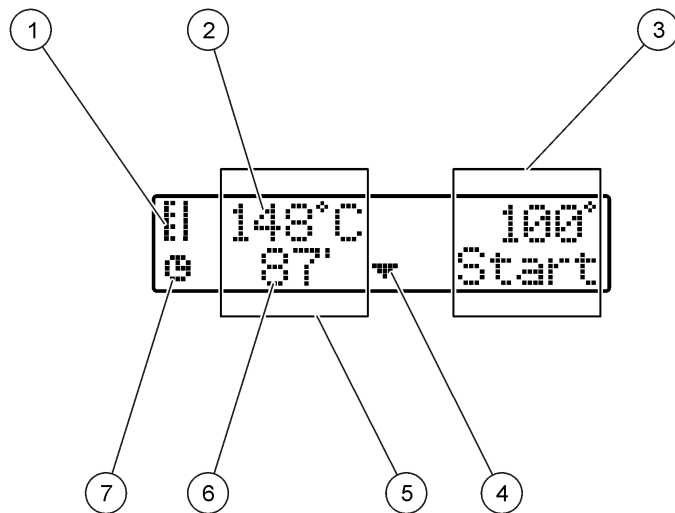
图 2 键盘说明



1 显示屏	3 中键
2 右键	4 左键

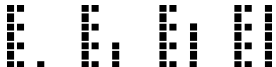
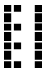

4.2 显示屏说明

图 3 仅激活左加热区上某个程序时的屏幕显示



1 温度计符号	5 左加热区
2 加热区的温度	6 剩余时间
3 右加热区	7 计时器符号
4 向下箭头键 (用于选择程序)	

表 1 温度计符号

符号	说明
	加热区温度正在升高。
	加热区处于所选的温度。
	加热区温度正在降低。

第 5 节 启动

5.1 开启仪器

注意

切勿在关闭仪器后立即开启仪器，这会损坏仪器。务必等待约 20 秒，然后再开启仪器。

1. 将仪器放在平稳、水平的耐热表面上。
2. 将电源线连接到仪器背面的电源插头。
3. 将电源线连接到带有接地触点的电源插座。
4. 按下仪器背面的电源开关，开启仪器。

5.2 选择语言

要更改默认语言设置（英语）：

1. 按住左键并开启仪器。
2. 按向右箭头键来滚动浏览菜单。到达菜单末尾后，显示屏即返回到菜单开头。
3. 显示所需的语言时，按下该语言的对应按键。请参阅表 2。

表 2 语言设置

设置	语言	设置	语言
GB	英语	E	西班牙语
D	德语	NL	荷兰语
F	法语	S	瑞典语
I	意大利语	PL	波兰语

5.3 设置显示对比度


1. 按住中间按键并开启仪器。
2. 按下或按住向上和向下箭头键来更改对比度值。
3. 按 **OK (确定)** 保存更改。


第 6 节 操作

⚠ 危险





化学品暴露风险。遵守实验室安全规程，穿戴适用于所处理化学品的所有个人防护装备。有关安全规程，请参阅当前安全数据表(MSDS/SDS)。


⚠ 警告	
	<p>起搏器注意事项。如果发生电磁干扰 (EMI)，则可能会：</p> <ul style="list-style-type: none"> • 阻止起搏器发出控制心律的刺激脉冲。 • 导致起搏器不规则地发出脉冲。 • 导致起搏器无视心律，按照设定的间隔发出脉冲。 <p>目前的研究表明，对于大多数起搏器佩戴者来说，移动设备并不会引起严重的健康问题。但是，佩戴起搏器的人应该采取预防措施，以确保其设备不会引起问题。让设备距离用户至少 20 厘米（7.9 英寸）。</p>


⚠ 警告	
	<p>电磁辐射危险。正常使用时，确保所有人员与天线保持 20 cm (7.9 in) 的最小距离。天线不能与其它任何天线或发射器放在一起或一同操作。</p>

6.1 例行操作

⚠ 警告	
	<p>烫伤危险。切勿将手指伸入加热区的开口中。升高加热区的温度之前，请关上保护盖，并在操作过程中始终紧闭保护盖。</p>

⚠ 警告	
	<p>烫伤危险。试样容器非常烫。请穿戴隔热用品（例如手套或指套）。切勿移动高于 80 °C 的试样容器。切勿将高于 80 °C 的试样容器放入比色计中。</p>

⚠ 警告	
	<p>存在化学危害性。如果试样容器破损，切勿让液体接触皮肤。必要时，使用通风橱来清除化学烟气。</p>

⚠ 警告	
	<p>化学品暴露风险。请遵循地方、区域和国家法规处置化学品和废弃物。</p>

注意	
<p>为防止试样容器和仪器损坏，请保持加热区的开口干燥。彻底干燥试样容器的外表面。</p>	

注意	
<p>为防止仪器损坏，当发生意外溅溢或试样容器破损时，应立即切断电源，然后清洁仪器。请参阅清洁仪器 第 50 页。</p>	

注意	
<p>切勿盖住保护盖中的通风口。仪器和试样容器可能会变得非常烫，并降低测量准确度。</p>	

1. 按照分析规程中的说明预备试样容器。
2. 用盖子盖上试样容器。
3. 彻底干燥试样容器的外表面。
4. 开启仪器并打开保护盖。显示屏上显示上次所选的温度程序。
5. 如果在带有 20 毫米开口的加热区上使用 16 毫米管的时候，则将变径适配器放入开口中。
6. 使用按键选择正确的温度程序（以及消解时间，如适用），然后按下 **Start (开始)**。请参阅[存储程序](#) 第 50 页。有两个加热区时，为每个加热区单独选择温度程序。
注：要停止程序，可连接两下程序下方的按键。
7. 当加热区达到所选温度时（听到两下嘟声），将试样容器放入恰当的加热区中，并关上保护盖。
8. 按 **Start (开始)** 启动程序。
时间倒数至零 (0)。消解程序完成后，可以听到三下嘟声，同时加热器关闭。

6.2 存储程序

表 3 对存储的温度程序进行了说明。

表 3 存储程序

程序	说明
COD	经过 120 分钟将试样容器的温度升高到 150 °C。在冷却阶段，当试样容器达到 120 °C 时，听到四下嘟声。取下试样容器并小心地颠倒几次，然后让它们在支架中降温。
TOC	经过 120 分钟将试样容器的温度升高到 105 °C。TOC 温度程序可用于所有 Hach TOC 试样容器检测。
100°C	经过 30、60 或 120 分钟将试样容器的温度升高到 100 °C。例如，“100 °C，60 分钟”温度程序用于： <ul style="list-style-type: none">• 使用金属预备包 (Metals Prep Set) 来消解样品• 鉴别磷酸盐和铬• 消解重金属
105°C	经过 30、60 或 120 分钟将试样容器的温度升高到 105 °C。
150°C	经过 30、60 或 120 分钟将试样容器的温度升高到 150 °C。
165°C	经过 30、60 或 120 分钟将试样容器的温度升高到 165 °C。

6.3 用户程序

DRB 200 有三个由用户配置的温度程序 (PRG1-PRG3)。

要配置用户温度程序：

1. 使用按键选择用户温度程序。
2. 按 **Prog (程序)** 进入编程模式。
3. 为程序选择一个 4 字符名称。按左键更改字符。按向右箭头键，将光标移到下一个位置。按 **OK (确定)** 保存更改。
4. 按下或按住向上和向下箭头键来设置温度 (37 至 165 °C)。按 **OK (确定)** 保存更改。

5. 按下或按住向上和向下箭头键来设置时间 (0 至 480 分钟)。按 **OK (确定)** 保存更改。
6. 按 **OK (确定)** 保存程序。

第 7 节 维护

警告



多重危险。只有符合资质的专业人员才能从事文档本部分所述的任务。

注意

请勿拆卸仪器进行维护。如果必须清洁或维修内部组件，请联系制造商。

7.1 清洁仪器

要获得持续、精准的操作，必须保持仪器清洁。

警告



火灾危险。切勿使用易燃试剂来清洁仪器。

警告



烫伤危险。切勿清洁处于高温状态下的仪器。

注意

为防止仪器损坏，切勿使用松脂、丙酮或类似的清洁剂来清洁仪器，包括显示屏。

1. 关闭仪器并断开电源线。
2. 仪器冷却后，使用柔软的湿布和稀肥皂液清洁仪器的表面。确保不让水进入仪器。

如果试样容器中的液体溅溢或试样容器破损：

1. 关闭仪器并断开电源线。
2. 让加热区和试样容器降温，直至冷却。
3. 使用移液管吸除液体。切勿让液体接触皮肤。
4. 移除液体去适当处置。
5. 使用镊子夹除破损的玻璃。清除仪器上残留的任何液体。切勿让液体接触皮肤。

7.2 测量加热区的温度

测量加热区的温度，以确保显示屏上显示的温度正确。

显示屏上显示的温度是指充入液体的封闭试样容器中的温度。当加热区升温时，加热器附近的加热区的温度可能会高于显示屏上显示的温度。

所需工具：

- 试样容器 (2275800)
- 无水甘油，5 毫升
- 温度计，针对 95 至 170 °C (203 至 338 °F) 进行校准

要测量加热区的温度：

1. 将处于室温的甘油充入干净的空试样容器中。
2. 将温度计一直插到试样容器的底部。
3. 当温度计处于试样容器中时，确保甘油液位距离容器的底部 56 毫米 ± 0.5 毫米 (2.20 英寸 ± 0.02 英寸)。
4. 将试样容器放入加热区第二排的中央开口中。
5. 使用按键选择 60 分钟 150 °C 温度程序，然后按 **OK (确定)**。
6. 当加热区达到所选温度时 (听到两下嘟声)，温度计的温度应与显示屏上显示的温度相同。


第 8 节 故障排除

有关错误消息、可能原因和纠正措施的信息，请参阅表 4。

表 4 错误消息

错误	解决方案
BLOCK IS TOO HOT! PLEASE WAIT (加热区过热！ 请稍候)	加热区的温度高于所选的温度。等到加热区冷却。
INIT ERROR (启动错误)	仪器出现故障。联系客户服务部门。

第 9 节 备件与附件

▲ 警告	
	人身伤害危险。使用未经批准的部件可能造成人身伤害、仪器损坏或设备故障。本部分中的更换部件均经过制造商的批准。

*注：*一些销售地区的产品和物品数量可能有所不同。请与相关分销商联系或参考公司网站上的联系信息。

备件

说明	数量	物品编号
保护盖	1	LZT048

附件

说明	数量	物品编号
变径适配器，20 > 16 毫米	1	HHA155
变径适配器，16 > 13 毫米	1	2895805
管子，16 x 100 毫米	1	2275800
管子，16 x 100 毫米	6	2275806
温度计，0 至 200 °C	1	4565500

目次

- | | |
|--------------------------------|-------------------------|
| 1 項目 52 ページ | 6 操作 57 ページ |
| 2 総合情報 52 ページ | 7 メンテナンス 59 ページ |
| 3 設置 54 ページ | 8 トラブルシューティング
60 ページ |
| 4 ユーザー インターフェイスとナビゲーション 56 ページ | 9 交換部品とアクセサリ
61 ページ |
| 5 スタートアップ 57 ページ | |

第1章 項目

この仕様は予告なく変更されることがあります。

仕様	詳細
寸法	25 x 14.5 x 31 cm
質量	シングル加熱ブロック: 2 kg デュアル加熱ブロック: 2.8 kg
電源要件	100 ~ 240 V、+5 %/-15 %、50/60 Hz、保護クラス I
電源入力	シングル加熱ブロック: 115 V: 300 VA、230 V: 450 VA デュアル加熱ブロック: 115 V: 600 VA、230 V: 900 VA
保管温度	-40 ~ +60 °C
作動温度	10 ~ 45 °C
作動周囲湿度	90 % (結露なきこと)
温度測定範囲	37 ~ 165 °C タイマー: 0 ~ 480 分
温度の安定性	± 2 °C
加熱率	10 分で 20 ~ 150 °C

仕様	詳細
認証	CE および cTUVus
標高	2000 m
環境条件	室内での使用
汚染度	2
過電圧カテゴリ	II
筐体保護等級	IP20

第2章 総合情報

いかなる場合も、例えそのような損害が生じる可能性について報告を受けていたとしても、製造元は、本マニュアルに含まれるいかなる瑕疵または脱落から生じる直接的、間接的、特定、付随的または結果的に生じる損害に関して責を負いません。製造元は、通知または義務なしに、随時本マニュアルおよび製品において、その記載を変更する権利を留保します。改訂版は、製造元の **Web** サイト上にあります。





2.1 安全情報

メーカーは、本製品の目的外使用または誤用に起因する直接損害、偶発的損害、結果的損害を含むあらゆる損害に対して、適用法で認められている範囲で一切責任を負わないものとします。ユーザーは、適用に伴う危険性を特定したり、装置が誤作動した場合にプロセスを保護するための適切な機構を設けることに関して、全責任を負うものとします。

この機器の開梱、設定または操作を行う前に、このマニュアルをすべてよく読んでください。危険および注意の注意事項に注意を払ってください。これを怠ると、使用者が重傷を負う可能性、あるいは機器が損傷を受ける可能性があります。



本装置に備わっている保護機能が故障していないことを確認します。本マニュアルで指定されている以外の方法で本装置を使用または設置しないでください。



2.1.1 危険情報

▲ 危険	
	回避しないと死亡または重傷につながる潜在的または切迫した危険な状況を示します。
▲ 警告	
	回避しなければ、死亡または重傷につながるおそれのある潜在的または切迫した危険な状況を示します。
▲ 注意	
	軽傷または中程度のけがををする事故の原因となる可能性のある危険な状況を示します。
告知	
	回避しなければ、本製品を損傷する可能性のある状況や、特に強調したい情報を示します。特に注意を要する情報。

2.1.2 使用上の注意ラベル

測定器上に貼付されたラベルやプレートを全てお読みください。これを怠ると、人身傷害や装置の損傷につながるおそれがあります。装置に記載が記載されている場合、マニュアルに「危険」または「注意」事項が含まれています。

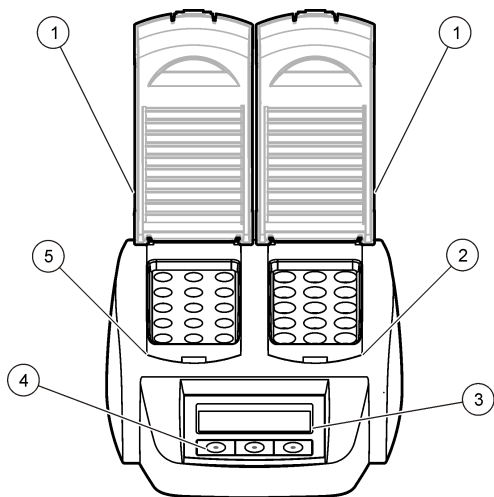
	この記号が測定器に記載されている場合、操作用の指示マニュアル、または安全情報を参照してください。
	このシンボルが付いている電気機器は、ヨーロッパ域内または公共の廃棄処理システムで処分できません。古くなったり耐用年数を経た機器は、廃棄するためにメーカーに無償返却してください。

	この記号は、しるしの付いた部分の温度が非常に高くなっている可能性があるため、十分注意する必要があることを示します。
	このシンボルは、印の付いたアイテムに保護アース接続が必要であることを示します。装置付属のコードに接地プラグがない場合は、保護導体端子に保護アースを接続してください。

2.2 製品の概要

本装置には、1つまたは2つの加熱ブロックがあります。この加熱ブロックでは、指定した時間、指定した温度まで、丸型試料セル内の溶液の温度が上昇します(図1)。保存済みの温度プログラムが6つ、ユーザーが設定して保存する温度プログラムが3つあります。

図1 前面図



1 保護カバー	3 ディスプレイ	5 左側加熱ブロック
2 右側加熱ブロック	4 キー	

第3章 設置

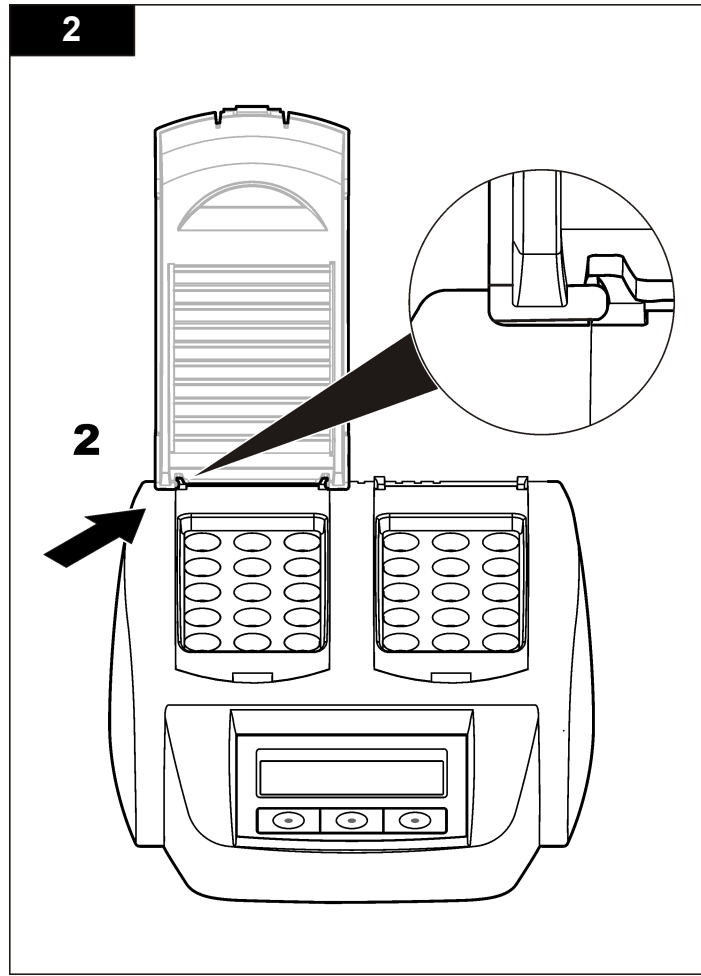
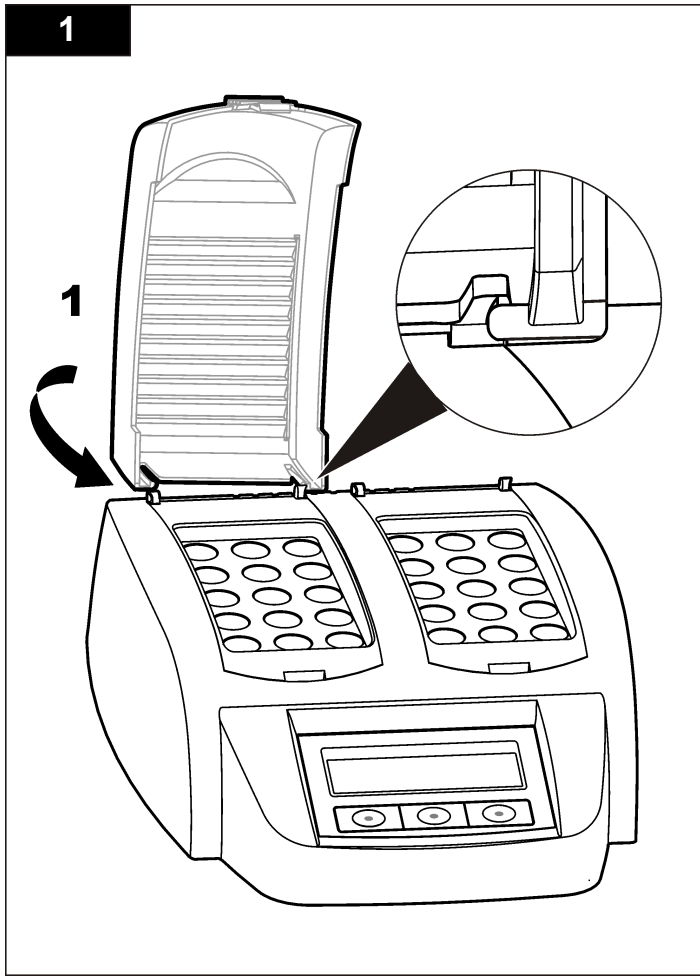
3.1 保護カバーの取り付け

▲ 警告



感電と火傷の危険。人身事故を避けるため、保護カバーを取り付けてください。保護カバーにより、火傷や、電源コードと加熱ブロックの接触を防ぐことができます。

下図に示す手順を参照してください。

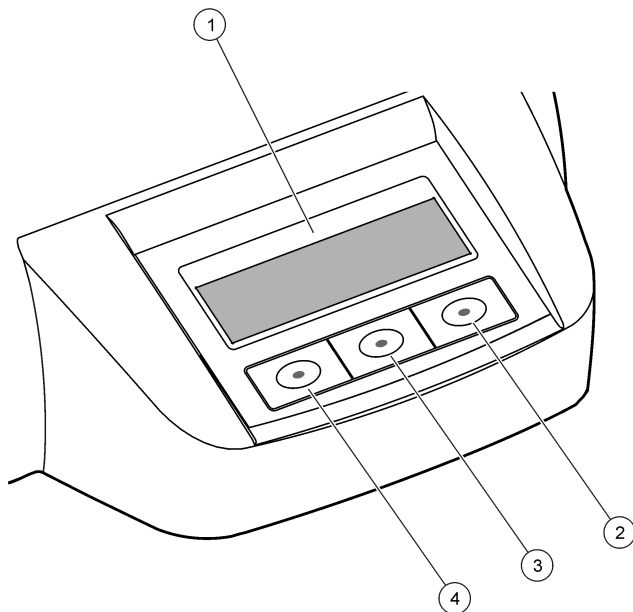


第4章 ユーザー インターフェイスとナビゲーション

4.1 ユーザー・インターフェース

装置は、ディスプレイの下にある3つのキーを使用して操作します(図2)。各キーの機能はディスプレイに表示されます。キーの機能が表示されない場合、そのキーは現在アクティブになっていません。

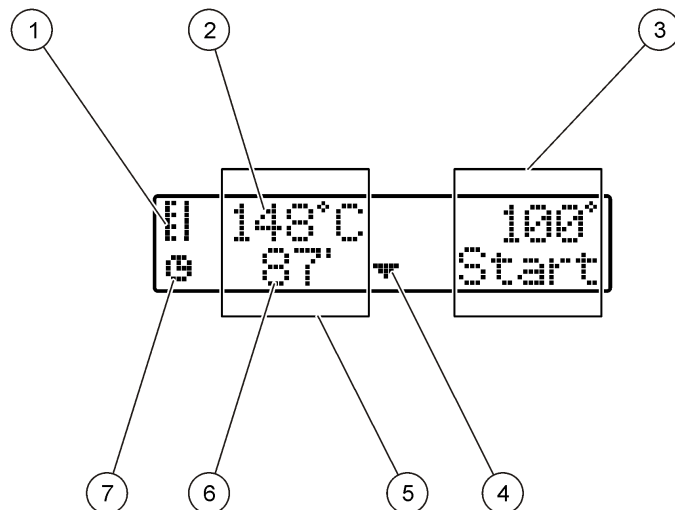
図2 キーパッドの説明



1 ディスプレイ	3 中央キー
2 右キー	4 左キー

4.2 ディスプレイの説明

図3 左側加熱ブロックのみでプログラムがアクティブな場合の画面表示



1 温度計のシンボル	5 左側加熱ブロック
2 加熱ブロックの温度	6 残り時間
3 右側加熱ブロック	7 タイマーのシンボル
4 下矢印キー (プログラムの選択に使用)	

表 1 温度計のシンボル

シンボル	説明
	加熱ブロックの温度が上昇中です。
	加熱ブロックの温度が選択した温度になっています。
	加熱ブロックの温度が下降中です。

第 5 章 スタートアップ

5.1 装置の電源をオンにする

告知

装置の電源のオンとオフをすばやく切り替えないでください。装置が損傷する場合があります。装置の電源をオフにした後は、必ず約 20 秒待ってから、再びオンにするようにしてください。

1. 安定した、平らな、耐熱性のある面に装置を設置します。
2. 電源コードを装置背面の電源プラグに接続します。
3. 電源コードをアース付きの電源ソケットに接続します。
4. 装置背面の電源スイッチを押して、装置の電源をオンにします。

5.2 言語の選択

デフォルトの言語設定 (英語) を変更するには:

1. 左キーを押しながら装置の電源をオンにします。
2. 右矢印キーを押してメニューをスクロールします。メニューの最後まで進むと、メニューの最初に戻ります。

3. 目的の言語が表示されたら、その言語のキーを押します。表 2 を参照してください。

表 2 言語設定

設定	言語	設定	言語
GB	英語	E	スペイン語
D	ドイツ語	NL	オランダ語
F	フランス語	S	スウェーデン語
I	イタリア語	PL	ポーランド語

5.3 ディスプレイのコントラストの設定

1. 中央キーを押しながら装置の電源をオンにします。
2. 上矢印キーと下矢印キーを押すか、押したままにして、コントラスト値を変更します。
3. [OK (確定)] を押して変更を保存します。

第 6 章 操作

⚠ 危険



化学物質による人体被害の危険。検査室の安全手順に従い、取り扱う薬品に適した個人用保護具をすべて装着してください。安全手順に関する現在の安全性データシート (MSDS/SDS) を参照してください。

▲ 警告



ペースメーカーに関する注意。電磁干渉 (EMI) が発生した場合、以下の問題を発生させる可能性があります。

- 心臓の律動を制御するペースメーカーからの刺激用パルスを停止させます。
- ペースメーカーが不規則にパルスを供給する原因となります。
- ペースメーカーが心臓の律動を無視し、設定された間隔でパルスを供給する原因となります。

現在の調査によれば、セルラーデバイスは、ほとんどのペースメーカー着用者に対して著しい健康問題にならないことが示されています。ただし、ペースメーカーをお持ちの方は、ご自身のデバイスが問題の原因とならないように注意する必要があります。本装置はユーザーから 20 cm 以上の距離を保持してください。

▲ 注意



電磁放射の危険。通常の使用で、アンテナがあらゆる人から少なくとも 20 cm 離れていることを確認してください。アンテナを、他のアンテナまたはトランスミッターと一緒に配置または操作することはできません。

6.1 定常操作

▲ 注意



火傷。加熱ブロックの開口部に指を入れしないでください。加熱ブロックの温度が上昇する前に保護カバーを閉じてください。操作中は常に保護カバーを閉じておいてください。

▲ 注意



火傷。試料セルは高温になります。断熱素材 (グローブ、指サックなど) を装着してください。80 °C を超える試料セルは取り外さないでください。また、80 °C を超える試料セルは測定器に入れしないでください。

▲ 注意



化学的な危険性。試料セルが壊れた場合は、液体が肌に触れないようにしてください。必要に応じてドラフトを使用し、化学物質の蒸気を除去してください。

▲ 注意



化学物質による人体被害の危険。化学物質および廃液は、地域、県、または国の環境規制に従って廃棄してください。

告知

試料セルおよび装置の損傷を防ぐために、加熱ブロックの開口部を乾いた状態に保ってください。試料セルの外側は完全に乾かしてください。

告知

装置の損傷を防ぐために、液体がこぼれた場合、または試料セルが壊れた場合は、即座に電源を切り、装置を洗浄してください。**装置の清掃 59 ページ** を参照してください。

告知

保護カバーの通気口をふさがしないでください。装置および試料セルが過度に高温になり、測定の精度が低下するおそれがあります。

1. 分析手順で指定されているとおりに、テスト試料セルを用意します。
2. 試料セルをキャップで密閉します。
3. 試料セルの外側に完全に乾かします。
4. 装置の電源をオンにして、保護カバーを開けます。前回選択した温度プログラムがディスプレイに表示されます。
5. 開口部が 20 mm の加熱ブロックで 16 mm のチューブを使用する場合は、開口部に縮小アダプタを入れます。
6. キーを使用して適切な温度プログラム (必要な場合は分解時間も) を選択し、**[Start (開始)]** を押します。**保存済みプログラム 59 ページ** を参照してください。加熱ブロックが 2 つある場合は、加熱ブロックごとに別々の温度プログラムが選択されます。

注: プログラムを停止するには、プログラムの下のキーを 2 回押します。

7. 加熱ブロックが、選択した温度に達したら (ピープ音が 2 回鳴ります)、適切な加熱ブロックにテスト試料セルを入れ、保護カバーを閉じます。

8. **[Start (開始)]** を押して、プログラムを開始します。

時間が 0 になるまでカウントダウンされます。分解プログラムが完了すると、ピープ音が 3 回鳴り、ヒーターがオフになります。

6.2 保存済みプログラム

表 3 に、保存済みの温度プログラムの説明を示します。

表 3 保存済みプログラム

プログラム	解説
COD	試料セルの温度を 120 分間、150 °C まで上げます。冷却段階で、試料セルが 120 °C になると、ピープ音が 4 回鳴ります。試料セルを取り外し、逆にする作業を数回行ってから、ラックで温度を下げます。
TOC	試料セルの温度を 120 分間、105 °C まで上げます。TOC 温度プログラムは、すべての Hach TOC 試料セル・テストに使用できます。
100 °C	試料セルの温度を 30、60、または 120 分間、100 °C まで上げます。例えば、「100 °C、60 分」の温度プログラムは、以下の目的で使用します。 <ul style="list-style-type: none">金属準備セットを使用した試料の温浸リン酸塩およびクロムの特定重金属の温浸
105 °C	試料セルの温度を 30、60、または 120 分間、105 °C まで上げます。
150 °C	試料セルの温度を 30、60、または 120 分間、150 °C まで上げます。
165 °C	試料セルの温度を 30、60、または 120 分間、165 °C まで上げます。

6.3 ユーザー プログラム

DRB 200 には、ユーザーが設定する温度プログラムが 3 つあります (PRG1 ~ PRG3)。

ユーザー温度プログラムを設定するには:

1. キーを使用して、ユーザー温度プログラムを選択します。
2. **[Prog (プログラミング)]** を押してプログラミング・モードに入ります。
3. プログラムの 4 文字の名前を選択します。文字を変更するには、左キーを押します。カーソルを次の位置に移動するには、右矢印キーを押します。 **[OK (確定)]** を押して変更を保存します。
4. 上矢印キーと下矢印キーを押すか、押したままにして、温度を設定します (37 ~ 165 °C)。 **[OK (確定)]** を押して変更を保存します。
5. 上矢印キーと下矢印キーを押すか、押したままにして、時間を設定します (0 ~ 480 分)。 **[OK (確定)]** を押して変更を保存します。
6. **[OK (確定)]** を押してプログラムを保存します。

第 7 章 メンテナンス

▲ 注意



複合的な危険。本書のこのセクションに記載されている作業は、必ず資格のある要員が行う必要があります。

告知

メンテナンスのために装置を分解しないでください。内部のコンポーネントを清掃するか、または修理する場合は、メーカーにお問合せください。

7.1 装置の清掃

装置は常に清潔な状態に保ち、継続的に正確に動作するようにしてください。

▲ 注意



火災の危険。装置の洗浄に、可燃性の洗浄剤を使用しないでください。

▲ 注意



火傷の危険。装置の温度が高い場合は、装置を洗浄しないでください。

告知

装置の損傷を防ぐため、装置 (ディスプレイを含む) の洗浄に、テレピン油、アセトン、または類似の製品などの洗浄剤を使用しないでください。

1. 装置の電源をオフにし、電源コードを抜きます。
2. 装置の温度が低くなったら、装置の表面を柔らかい湿った布と弱アルカリ性洗剤で洗浄します。装置の内部に液体が入らないようにしてください。

試料セルの液体がこぼれた場合、または試料セルが壊れた場合:

1. 装置の電源をオフにし、電源コードを抜きます。
2. 加熱ブロックと試料セルの温度が低くなるまで冷まします。
3. ピペットで液体を除去します。液体が肌に触れないようにしてください。
4. 液体を適切な廃棄物入れに移します。
5. ピンセットを使用して、割れたガラスを除去します。装置上に残っている液体もすべて除去します。液体が肌に触れないようにしてください。

7.2 加熱ブロックの温度の測定

加熱ブロックの温度を測定し、ディスプレイに表示されている温度が正しいことを確認します。

ディスプレイに表示されている温度は、液体で満たされ、密閉された試料セル内の温度です。加熱ブロックの温度が上昇している間、ヒーター付近の加熱ブロックの温度は、ディスプレイに表示されている温度よりも高くなる場合があります。

必要なツール:

- 試料セル (2275800)
- グリセロール (無水)、5 mL
- 温度計、棒状、95 ~ 170 °C で校正

加熱ブロックの温度を測定するには:

1. 清潔な空の試料セルに、室温のグリセロールを注入します。
2. 温度計が試料セルの底に触れるまで、温度計を試料セルに入れます。
3. 温度計を試料セルに入れたら、グリセロールが、試料セルの底から 56 mm ± 0.5 mm の高さまで入っていることを確認します。
4. 加熱ブロックの 2 列目の開口部に試料セルを入れます。
5. キーを使用して、60 分間、150 °C の温度プログラムを選択し、**[OK (確定)]** を押します。
6. 加熱ブロックが、選択した温度に達するとピープ音が 2 回鳴り、温度計の温度は、ディスプレイに表示されている温度と同じになります。

第 8 章 トラブルシューティング

エラー・メッセージ、起こり得る原因、および修復アクションについては、表 4 を参照してください。

表 4 エラーメッセージ

エラー	対処方法
BLOCK IS TOO HOT! (ブロックの温度が高すぎます) 待機	加熱ブロックの温度が、選択した温度よりも高くなっています。加熱ブロックの温度が下がるまでお待ちください。
INIT ERROR (初期化エラー)	装置が故障しています。カスタマー・サービスにご連絡ください。

第9章 交換部品とアクセサリ

▲ 警告



人体損傷の危険。未承認の部品を使用すると、負傷、装置の破損、または装置の誤作動を招く危険性があります。このセクションでの交換部品は、メーカーによって承認済みです。

注: プロダクト番号とカタログ番号は、一部の販売地域では異なる場合があります。詳細は、取り扱い販売店にお問い合わせください。お問い合わせ先については、当社の Web サイトを参照してください。

交換部品

解説	数量	アイテム番号
保護カバー	1	LZT048

アクセサリ

解説	数量	アイテム番号
縮小アダプタ、20 > 16 mm	1	HHA155
縮小アダプタ、16 > 13 mm	1	2895805
チューブ、16 x 100 mm	1	2275800
チューブ、16 x 100 mm	6	2275806
温度計、0 ~ 200°C	1	4565500

목차

- | | |
|-------------------------|----------------------|
| 1 사양 62 페이지 | 6 작동 67 페이지 |
| 2 일반 정보 62 페이지 | 7 유지관리 69 페이지 |
| 3 설치 64 페이지 | 8 문제 해결 70 페이지 |
| 4 사용자 인터페이스 및 탐색 66 페이지 | 9 교체 부품 및 부속품 70 페이지 |
| 5 시작 67 페이지 | |

섹션 1 사양

사양은 사전 예고 없이 변경될 수 있습니다.

사양	세부 사항
치수	25x14.5x31cm(9.8x5.7x12.2인치)
무게	단일 히팅 블록: 2kg(4.4lb) 이중 히팅 블록: 2.8kg(6.17lb)
전원 조건	100–240V, +5%/–15%, 50/60Hz, 보호 등급 I
전원 입력	단일 히팅 블록: 115V: 300VA, 230V: 450VA 이중 히팅 블록: 115V: 600VA, 230V: 900VA
보관 온도	–40+60°C(–40+140°F)
작동 온도	10-45°C(50-113°F)
작동 습도	90%(비응결)
온도 범위	37 - 165°C(98.6 ~ 329°F) 타이머: 0-480분
온도 안정성	± 2°C(±3.5°F)
가열 속도	20°C-150°C(68°F-302°F) 10분
인증	CE 및 cTUVus

사양	세부 사항
사용 고도	2000m
환경 조건	실내 사용
오염도	2
과전압 범주	II
외함 등급	IP20

섹션 2 일반 정보

제조업체는 본 설명서에 존재하는 오류나 누락에 의해 발생하는 직접, 간접, 특수, 우발적 또는 결과적 손해에 대해 어떠한 경우에도 책임을 지지 않습니다. 제조업체는 본 설명서와 여기에 설명된 제품을 언제나라도 통지나 추가적 책임 없이 변경할 수 있습니다. 개정본은 제조업체 웹 사이트에서 확인할 수 있습니다.

2.1 안전 정보

제조사는 본 제품의 잘못된 적용 또는 잘못된 사용으로 인한 직접, 우발적 또는 간접적 손해에 국한하지 않는 모든 손해에 대한 어떠한 책임도 지지 않으며, 관계 법령이 최대한 허용하는 손해에 관한 면책이 있습니다. 사용자는 사용상 중대한 위험을 인지하고 장비 오작동이 발생할 경우에 대비하여 적절한 보호 장치를 설치하여야 합니다.

장치 포장을 풀거나 설치하거나 작동하기 전에 본 설명서를 모두 읽으십시오. 모든 위험 및 주의사항 설명에 유의하시기 바랍니다. 이를 지키지 않으면 사용자가 중상을 입거나 장치가 손상될 수 있습니다.

본 장치의 보호 기능이 손상되지 않도록 본 설명서에서 설명하는 방법이 아닌 다른 방법으로 본 장치를 사용하거나 설치하지 마십시오.

2.1.1 위험 정보 표시

▲ 위험

지키지 않을 경우 사망하거나 또는 심각한 부상을 초래하는 잠재적 위험이나 긴급한 위험 상황을 뜻합니다.

▲ 경고

피하지 않을 경우에 사망이나 심각한 부상을 유발할 수 있는 잠재적 위험이나 긴급한 위험 상황을 나타냅니다.

▲ 주의





경미하거나 심하지 않은 부상을 초래할 수 있는 잠재적인 위험 상황을 뜻합니다.

주의사항

지키지 않으면 기기에 손상을 일으킬 수 있는 상황을 나타냅니다. 특별히 강조할 필요가 있는 정보.

2.1.2 주의 경고

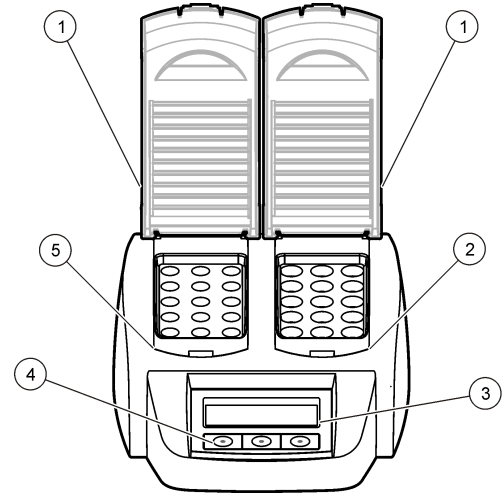
본 기기에 부착된 모든 라벨 및 태그를 참조하시기 바랍니다. 지침을 따르지 않을 경우 부상 또는 기기 손상이 발생할 수 있습니다. 기기에 표시되어 있는 기호는 설명서의 위험 또는 경고 문구에 포함되어 있습니다.

	기기에 이 심볼이 표시되어 있으면 지침서에서 작동 및 안전 주의사항을 참조해야 합니다.
	이 심볼이 표시된 전기 장비는 유럽 내 공공 폐기 시스템에 따라 폐기할 수 없습니다.
	본 심볼이 표시된 부품은 뜨거울 수 있으므로 반드시 조심해서 다루어야 합니다.
	이 심볼은 표시된 부품에 보호 접지를 연결해야 함을 나타냅니다. 코드의 접지 플러그로 기기에 전원이 공급되지 않는 경우 보호 접지 단자에 보호 접지를 연결하십시오.

2.2 제품 개요

본 기기는 원형 샘플 셀 안의 용액을 지정된 시간 동안 가열하는 2개의 히팅 블록이 내장되어 있습니다(그림 1). 6개의 온도 프로그램이 저장되어 있으며, 사용자가 3개의 온도 프로그램을 구성하여 저장할 수 있습니다.

그림 1 전면 보기




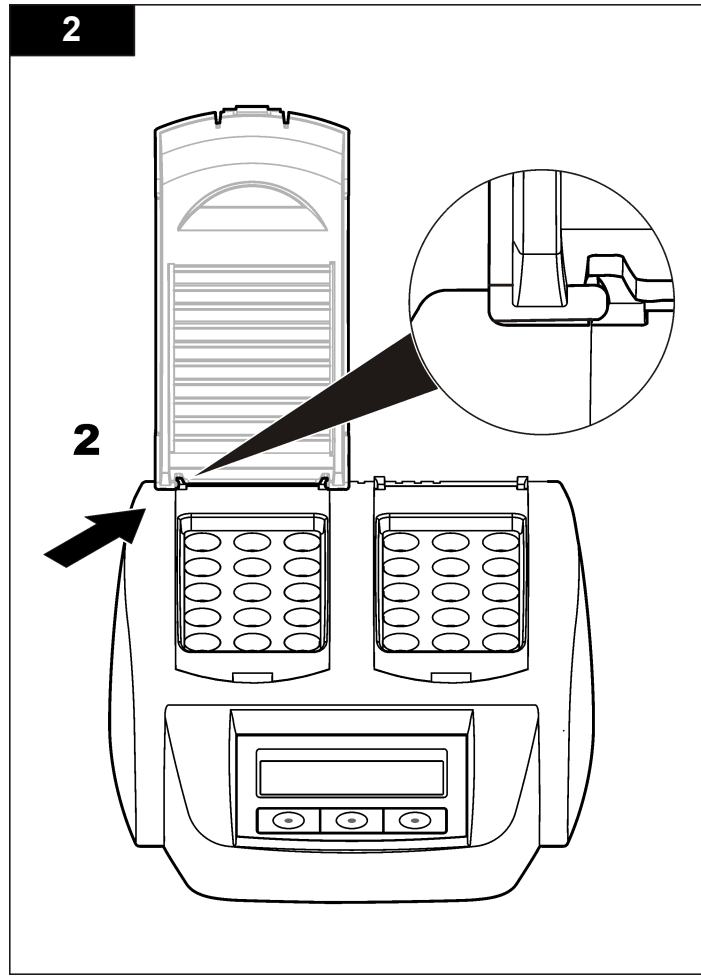
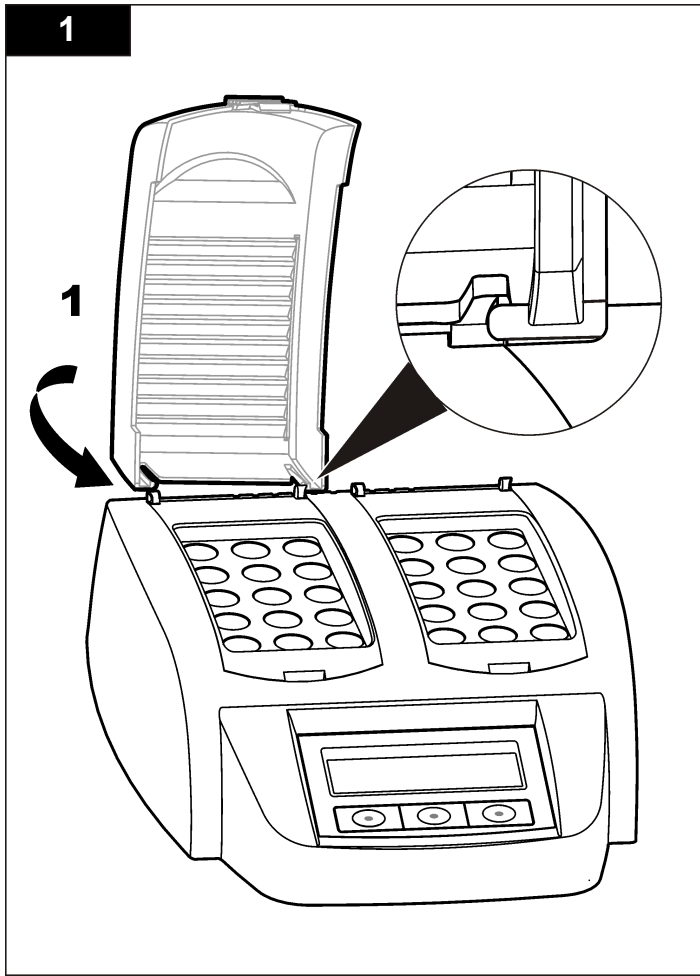
1 보호 덮개	3 디스플레이	5 좌측 히팅 블록
2 우측 히팅 블록	4 키	

섹션 3 설치

아래의 그림 단계를 참조하십시오.

3.1 보호 덮개 장착

▲ 경고	
	감전 및 화상 위험. 부상을 방지하기 위해 반드시 보호 덮개를 장착해야 합니다. 보호 덮개는 화상을 방지하고 전원 코드가 히팅 블록에 닿지 않게 합니다.

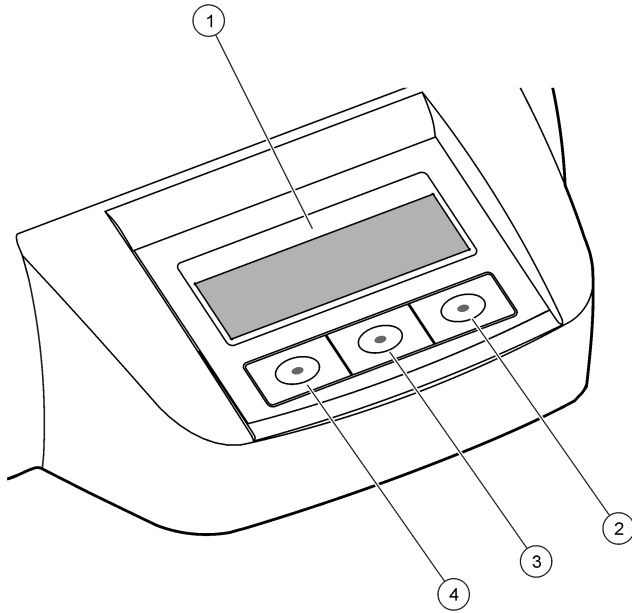


섹션 4 사용자 인터페이스 및 탐색

4.1 사용자 인터페이스

기기는 디스플레이 아래에 있는 3개의 키를 사용하여 작동할 수 있습니다 (그림 2). 각 키의 기능은 디스플레이에 표시됩니다. 활성화되지 않은 키는 기능이 표시되지 않습니다.

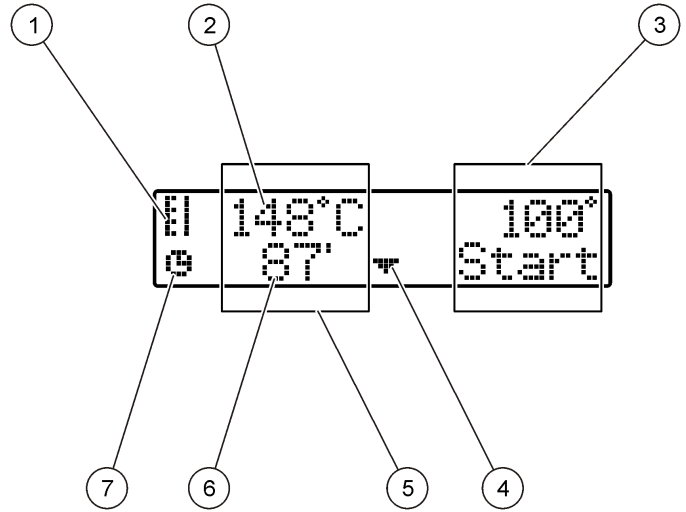
그림 2 키패드 설명



1 디스플레이	3 중간 키
2 오른쪽 키	4 왼쪽 키




4.2 디스플레이 설명

그림 3 좌측 히팅 블록만 작동 중일 때의 화면 디스플레이



1 온도계 심볼	5 좌측 히팅 블록
2 히팅 블록 온도	6 남은 시간
3 우측 히팅 블록	7 타이머 심볼
4 아래쪽 화살표 키(프로그램 선택 시 사용)	

표 1 온도계 심볼

심볼	설명
	히팅 블록의 온도가 상승 중
	히팅 블록이 선택된 온도에 도달
	히팅 블록의 온도가 하락 중

섹션 5 시작

5.1 기기 켜기

주의사항

기기를 끈 후 바로 켜지 마십시오. 기기가 손상될 수 있습니다. 기기를 다시 켜기 전에 항상 약 20초간 기다리십시오.

1. 기기를 안정적이고 평평한 내열 표면 위에 놓습니다.
2. 기기의 후면에 있는 전원 플러그에 전원 코드를 연결합니다.
3. 전원 코드를 접지 접점이 있는 전원 소켓에 꽂습니다.
4. 기기의 후면에 있는 전원 스위치를 눌러 기기를 켭니다.

5.2 언어 선택

기본 언어 설정(영어) 변경:

1. 왼쪽 키를 누른 채로 기기를 켭니다.
2. 오른쪽 키를 눌러 메뉴를 스크롤합니다. 디스플레이가 메뉴의 끝부분에서 메뉴의 시작으로 돌아갑니다.

3. 원하는 언어가 표시되면 키를 눌러 해당 언어를 선택합니다. 표 2를 참조하십시오.

표 2 언어 설정

설정	언어	설정	언어
GB	영어	E	스페인어
D	독일어	NL	네덜란드어
F	프랑스어	S	스페인어
I	이탈리아어	PL	폴란드어

5.3 표시 대비 설정

1. 가운데 키를 누른 채로 기기를 켭니다.
2. 위/아래 화살표 키를 누르거나 길게 눌러 대비 값을 변경합니다.
3. OK(확인)를 눌러 변경 내용을 저장합니다.


섹션 6 작동

⚠ 위험




화학물질에 노출될 위험이 있습니다. 실험실의 안전절차를 준수하고, 취급하는 화학 물질에 맞는 개인보호장비를 안전하게 착용하십시오. 최신 물질안전보건자료(MSDS/SDS)에서 안전 규정을 참조하십시오.

⚠ 경고


	심박 조율기 주의 사항. 전자기 간섭(EMI)이 발생하면 다음과 같은 상황이 발생할 수 있습니다.
	<ul style="list-style-type: none"> • 심장의 리듬을 제어하는 심박 조율기가 맥박을 자극하지 못하게 만들 수 있습니다. • 심박 조율기가 맥박을 불규칙적으로 공급하게 만들 수 있습니다. • 심박 조율기가 심장의 리듬을 무시하고 정해진 간격대로 맥박을 공급하지 못하게 만들 수 있습니다. <p>현재 연구에 따르면 셀룰러 장치는 대부분의 심박 조율기 착용자에게 심각한 건강상 문제를 일으키지 않습니다. 그러나 심박 조율기를 가진 사람은 장치가 문제를 일으키지 않도록 예방책을 가져야 합니다. 장치와 사용자 사이 거리는 최소 20cm(7.9인치)를 유지하십시오.</p>

⚠ 주의


	전자기 방사 위험. 정상 사용 시 안테나가 모든 직원으로부터 최소 20 cm(7.9 in.)의 거리를 유지해야 합니다. 안테나는 기타 안테나 또는 전송기 주변에 함께 배치하거나 작동할 수 없습니다.
--	--

6.1 정기 작업


⚠ 주의

	화상 위험 히팅 블록의 구멍에 손가락을 넣지 마십시오. 히팅 블록의 온도를 높이기 전에 보호 덮개를 닫고, 작업 중에는 항상 보호 덮개를 닫아 두십시오.
--	---


⚠ 주의

	화상 위험 샘플 셀은 뜨거우므로 단열 장갑이나 골무를 착용하십시오. 80°C 이상인 샘플 셀은 분리하지 마십시오. 80°C 이상인 샘플 셀을 색도계에 넣지 마십시오.
--	--

⚠ 주의

	화학적 위험. 샘플 셀이 파손될 경우 이 때 액체가 피부에 닿지 않게 하십시오. 필요하다면 흡 후드를 사용하여 화학 가스를 제거하십시오.
---	--

⚠ 주의

	화학물질에 노출될 위험이 있습니다. 화학물질 및 폐기물은 국가 및 지역 규정에 따라 폐기하십시오.
---	--

주의사항

샘플 셀 및 기기의 손상을 방지하려면 히팅 블록의 구멍을 건조한 상태로 유지해야 합니다. 샘플 셀의 외부를 완전히 건조시키십시오.

주의사항

기기 손상을 방지하려면 실수로 액체가 누출되었거나 샘플 셀이 파손된 경우 즉시 전원을 분리한 후 기기를 세척하십시오. **기기 청소 69** 페이지를 참조하십시오.

주의사항

보호 덮개의 환기 구멍을 덮지 마십시오. 기기와 샘플 셀이 너무 뜨거워져서 측정 시 정확도가 떨어질 수 있습니다.

1. 분석 절차에서 지정된 테스트 샘플 셀을 준비합니다.
2. 샘플 셀을 캡으로 막습니다.
3. 샘플 셀의 외부를 완전히 건조시킵니다.
4. 기기를 켜고 보호 덮개를 엽니다. 디스플레이에 마지막으로 선택한 온도 프로그램이 표시됩니다.
5. 구멍이 20mm인 히팅 블록에 16mm 튜브를 사용하는 경우 구멍에 축소 어댑터를 놓습니다.
6. 키를 사용하여 올바른 온도 프로그램 및 소화 기간(해당되는 경우)을 선택한 후 **Start(시작)**를 누릅니다. **저장된 프로그램 69** 페이지를 참조하십시오. 히팅 블록이 2개인 경우, 각 히팅 블록에 대해 독립적으로 온도 프로그램이 선택됩니다.

참고: 프로그램을 중지하려면 프로그램 아래의 키를 두 번 누릅니다.

7. 히팅 블록이 선택한 온도에 도달했을 때(신호음이 두 번 울림) 테스트 샘플 셀을 올바른 히팅 블록에 넣고 보호 덮개를 닫습니다.

8. **Start(시작)**를 눌러 프로그램을 시작합니다.

시간이 0까지 카운트다운됩니다. 소화 프로그램이 완료되면 신호음이 세 번 울리고 히터가 꺼집니다.

6.2 저장된 프로그램

표 3에는 저장된 온도 프로그램에 대한 설명이 나와 있습니다.

표 3 저장된 프로그램

프로그램	설명
COD	샘플 셀의 온도를 120분간 150°C로 높입니다. 냉각 단계에서 샘플 셀이 120°C가 되면 신호음이 네 번 울립니다. 샘플 셀을 분리하여 여러 번 조심스럽게 뒤집은 후 랙에서 식힙니다.
TOC	샘플 셀의 온도를 120분간 105°C로 높입니다. TOC 온도 프로그램은 모든 Hach TOC 샘플 셀 테스트에 대해 사용할 수 있습니다.
100°C	<p>샘플 셀의 온도를 30, 60, 120분간 100°C로 높입니다. 예를 들어, "100°C, 60분" 온도 프로그램은 다음 작업에 사용됩니다.</p> <ul style="list-style-type: none"> • 방법 준비 세트를 사용하여 샘플 소화 • 인 및 크롬 식별 • 중금속 소화
105°C	샘플 셀의 온도를 30, 60 또는 120분간 105°C로 높입니다.
150°C	샘플 셀의 온도를 30, 60, 120분간 150°C로 높입니다.
165°C	샘플 셀의 온도를 30, 60, 120분간 165°C로 높입니다.

6.3 사용자 프로그램

DRB 200에서 사용자가 3개의 온도 프로그램을 구성할 수 있습니다 (PRG1-PRG3).

사용자 온도 프로그램 구성:

1. 키를 사용하여 사용자 온도 프로그램을 선택합니다.
2. **Prog(프로그램)**를 눌러 프로그래밍 모드를 시작합니다.
3. 프로그램의 이름을 4문자로 선택합니다. 문자를 변경하려면 왼쪽 키를 누릅니다. 커서를 다음 위치로 옮기려면 오른쪽 화살표 키를 선택합니다. **OK(확인)**를 눌러 변경 내용을 저장합니다.
4. 위쪽/아래쪽 화살표 키를 누르거나 길게 눌러 온도(37-165°C)를 설정합니다. **OK(확인)**를 눌러 변경 내용을 저장합니다.
5. 위쪽/아래쪽 화살표 키를 누르거나 길게 눌러 시간(0-480분)을 설정합니다. **OK(확인)**를 눌러 변경 내용을 저장합니다.
6. **OK(확인)**를 눌러 프로그램을 저장합니다.

섹션 7 유지관리

⚠ 주의



여러 가지 위험이 존재합니다. 해당 전문가만 본 문서에 의거하여 작업을 수행해야 합니다.

주의사항

유지관리를 위해 기기를 해체하지 마십시오. 내부 구성 부품을 세척 또는 수리해야 하는 경우에는 제조업체에 연락하십시오.

7.1 기기 청소

연속적이고 정확한 작동을 위해 기기를 청결하게 유지하십시오.

⚠ 주의



화재 위험. 가연성 세정제를 사용하여 기기를 세척하지 마십시오.

⚠ 주의



화상 위험. 기기가 뜨거울 때는 세척하지 마십시오.

주의사항

기기가 손상될 수 있으므로 테레빈, 아세톤 또는 유사한 성질의 세정제를 사용하여 기기(디스플레이 등)를 세척하지 마십시오.

1. 기기를 끄고 전원 코드를 뽑습니다.
2. 기기가 차가울 때 부드러운 천에 순한 비눗물을 적셔 기기 표면을 세척합니다. 기기에 물이 들어가지 않도록 하십시오.

샘플 셀 안의 액체가 누출되었거나 샘플 셀이 파손된 경우:

1. 기기를 끄고 전원 코드를 뽑습니다.
2. 히팅 블록과 샘플 셀이 식을 때까지 기다립니다.
3. 피펫으로 액체를 제거합니다. 이 때 액체가 피부에 닿지 않게 하십시오.
4. 액체를 적절한 폐기 용기로 옮깁니다.
5. 집게로 깨진 유리를 제거합니다. 기기에 남아 있는 액체를 모두 제거합니다. 이 때 액체가 피부에 닿지 않게 하십시오.

7.2 히팅 블록 온도 측정

히팅 블록의 온도를 측정하여 디스플레이에 표시된 온도가 정확한지 확인합니다.

디스플레이에 표시된 온도는 액체가 채워져 있는 폐쇄된 샘플 셀의 내부 온도입니다. 히팅 블록의 온도가 올라가는 동안에는 히터 부근의 히팅 블록 온도가 디스플레이에 표시된 온도보다 높을 수 있습니다.

필요한 도구:

- 샘플 셀(2275800)
- 글리세롤(무수), 5mL
- 온도계, 막대형, 95-170°C(203-338°F)에 대해 교정

히팅 블록 온도 측정:

1. 비어 있는 깨끗한 샘플 셀에 실온의 글리세롤을 채웁니다.
2. 샘플 셀 안에 온도계를 바닥에 닿을 때까지 넣습니다.
3. 온도계를 샘플 셀 안에 넣었을 때 글리세롤 레벨이 샘플 셀의 바닥으로부터 56mm±0.5mm(2.20인치 ±0.02인치)여야 합니다.
4. 샘플 셀을 히팅 블록 두 번째 열의 중앙 구멍에 넣습니다.
5. 키를 사용하여 온도 프로그램을 150°C/60분으로 선택한 후 **OK(확인)**를 누릅니다.
6. 히팅 블록이 선택한 온도에 도달했을 때(신호음이 두 번 울림) 온도계의 온도가 디스플레이에 표시된 온도와 같아야 합니다.

섹션 8 문제 해결

오류 메시지, 추정 원인 및 교정 조치는 표 4를 참조하십시오.

표 4 오류 메시지

오류	해결방안
BLOCK IS TOO HOT!(블록이 너무 뜨겁습니다!) 잠시만 기다리십시오	히팅 블록의 온도가 선택된 온도보다 높습니다. 히팅 블록의 온도가 내려갈 때까지 기다리십시오.
INIT ERROR(기기 오류)	기기에 결함이 있습니다. 고객 서비스로 문의하십시오.

섹션 9 교체 부품 및 부속품

⚠ 경고



신체 부상 위험. 승인되지 않은 부품을 사용하면 부상, 기기 손상 또는 장비 오작동이 발생할 수 있습니다. 이 장에 설명된 교체 부품은 제조업체의 승인을 받았습니다.

참고: 일부 판매 지역의 경우 제품 및 문서 번호가 다를 수 있습니다. 연락처 정보는 해당 대리점에 문의하거나 본사 웹사이트를 참조하십시오.

교체 부품

설명	수량	품목 번호
보호 덮개	1	LZT048

액세서리

설명	수량	품목 번호
축소 어댑터, 20 > 16mm	1	HHA155
축소 어댑터, 16 > 13mm	1	2895805
튜브, 16x100mm	1	2275800
튜브, 16x100mm	6	2275806
온도계, 0-200°C	1	4565500

สารบัญ

- | | |
|--|---|
| 1 รายละเอียดทางเทคนิค ในหน้า 72 | 6 การทำงาน ในหน้า 77 |
| 2 ข้อมูลทั่วไป ในหน้า 72 | 7 การดูแลรักษา ในหน้า 79 |
| 3 การติดตั้ง ในหน้า 74 | 8 การแก้ไขปัญหา ในหน้า 80 |
| 4 อินเทอร์เน็ตผู้ใช้และโครงสร้างเมนู ในหน้า 76 | 9 ชิ้นส่วนอะไหล่และอุปกรณ์เสริม ในหน้า 80 |
| 5 การเริ่มทำงาน ในหน้า 77 | |

หัวข้อที่ 1 รายละเอียดทางเทคนิค

รายละเอียดทางเทคนิคอาจเปลี่ยนแปลงได้โดยไม่ต้องแจ้งให้ทราบล่วงหน้า

รายละเอียดทางเทคนิค	รายละเอียด
ขนาด	25 x 14.5 x 31 ซม. (9.8 x 5.7 x 12.2 นิ้ว)
น้ำหนัก	บล็อกรักษาความร้อนเดี่ยว: 2 กิโลกรัม (4.4 ปอนด์) บล็อกรักษาความร้อนคู่: 2.8 กิโลกรัม (6.17 ปอนด์)
ข้อกำหนดคลื่นไฟฟ้า	100–240 V, +5%/–15%, 50/60 Hz, การป้องกันประเภท I
ไฟเข้า	บล็อกรักษาความร้อนเดี่ยว: 115 V: 300 VA; 230 V: 450 VA บล็อกรักษาความร้อนคู่: 115 V: 600 VA; 230 V: 900 VA
อุณหภูมิสำหรับจัดเก็บ	–40 ถึง +60 °C (–40 ถึง +140 °F)
อุณหภูมิในการทำงาน	10 ถึง 45 °C (50 ถึง 113 °F)
ความชื้นในการทำงาน	ไม่เกิน 90% (ไม่ควบแน่น)

รายละเอียดทางเทคนิค	รายละเอียด
ช่วงอุณหภูมิ	37 ถึง 165 °C (98.6 ถึง 329 °F)
	เครื่องตั้งเวลา: 0 ถึง 480 นาที
เสถียรภาพของอุณหภูมิ	± 2 °C (±3.5 °F)
อัตราการให้ความร้อน	จาก 20 ถึง 150 °C (68 ถึง 302 °F) ในเวลา 10 นาที
การรับรอง	CE และ cTUVus
ความสูง	2000 ม.
สภาพแวดล้อม	สำหรับใช้ภายในอาคาร
ระดับของมลภาวะ	2
หมวดหมู่แรงดันไฟเกิน	II
อัตราการป้องกันของโครงสร้างภายนอก	IP20

หัวข้อที่ 2 ข้อมูลทั่วไป

ผู้ผลิตไม่รับประกันข้อบกพร่องใดๆ ต่อความเสี่ยงโดยตรง โดยอ้อม ความเสียหาย ความเสียหายจากอุบัติเหตุหรือความเสียหายอื่นเป็นผลต่อเนื่องเนื่องจากข้อบกพร่องหรือการละเว้นข้อมูลใด ๆ ของคู่มือชุดนี้ ผู้ผลิตสงวนสิทธิ์ในการแก้ไขคู่มือและเปลี่ยนแปลงผลิตภัณฑ์อ้างอิงได้โดยไม่ต้องแจ้งให้ทราบ ข้อมูลฉบับแก้ไขจะมีจัดไว้ให้ในเว็บไซต์ของผู้ผลิต

2.1 ข้อมูลเพื่อความปลอดภัย

ผู้ผลิตจะไม่รับประกันข้อบกพร่องใดๆ ที่เกิดจากการนำผลิตภัณฑ์ไปใช้หรือการใช้งานที่ผิดวัตถุประสงค์ รวมถึง แต่ไม่จำกัดเพียงความเสียหายทางตรง ความเสียหายที่ไม่ได้ตั้งใจ และความเสียหายที่ต่อเนื่องตามมา และขอปฏิเสธในการรับประกันข้อบกพร่องต่อความเสียหายเหล่านี้ในระดับสูงสุดเท่าที่กฎหมายที่เกี่ยวข้องจะอนุญาต ผู้ใช้เป็นผู้ใช้รับผิดชอบแต่เพียงผู้เดียวในการระบุถึงความเสี่ยงในการนำไปใช้งานที่สำคัญ และการคิดค้นกลไกที่เหมาะสมเพื่อป้องกันกระบวนการต่างๆ ที่เป็นไปได้ในกรณีอุปกรณ์ทำงานผิดพลาด

กรุณาอ่านคู่มือฉบับนี้โดยละเอียดก่อนเปิดกล่อง ติดตั้งหรือใช้งานอุปกรณ์นี้ ศึกษาอันตรายและข้อควรระวังต่าง ๆ ที่แจ้งให้ทราบให้ครบถ้วน หากไม่ปฏิบัติตามอาจทำให้เกิดการบาดเจ็บร้ายแรงต่อผู้ใช้หรือเกิดความเสียหายต่ออุปกรณ์



ตรวจสอบว่าชิ้นส่วนป้องกันของอุปกรณ์นี้ไม่มีความเสียหาย ห้ามใช้หรือติดตั้งอุปกรณ์ในลักษณะอื่นใดนอกจากที่ระบุไว้ในคู่มือนี้



2.1.1 การใช้ข้อมูลแจ้งเตือนเกี่ยวกับอันตราย

⚠️ อันตราย
ระบุอันตรายที่อาจเกิดขึ้น ซึ่งหากไม่หลีกเลี่ยง อาจทำให้เสียชีวิตหรือได้รับบาดเจ็บร้ายแรงได้
⚠️ คำเตือน
ระบุอันตรายที่อาจเกิดขึ้น ซึ่งหากไม่หลีกเลี่ยง อาจทำให้เสียชีวิตหรือได้รับบาดเจ็บร้ายแรงได้
⚠️ ข้อควรระวัง
ระบุอันตรายที่อาจเกิดขึ้นซึ่งอาจทำให้เกิดการบาดเจ็บเล็กน้อยถึงปานกลาง
หมายเหตุ
ข้อควรทราบระบุกรณีที่หากไม่หลีกเลี่ยง อาจทำให้อุปกรณ์ได้รับความเสียหายได้ ข้อมูลที่ต้องมีการเน้นย้ำเป็นพิเศษ

2.1.2 ผลกระทบข้อควรระวัง

อ่านฉลากและป้ายระบุทั้งหมดที่มีมาให้พร้อมกับอุปกรณ์ อาจเกิดการบาดเจ็บหรือความเสียหายต่ออุปกรณ์ หากไม่ปฏิบัติตาม สัญลักษณ์นี้จะแจ้งไว้ในข้อมูลแจ้งอันตรายและข้อควรระวังในคู่มือ หากไม่มีระบุไว้ที่ตัวอุปกรณ์

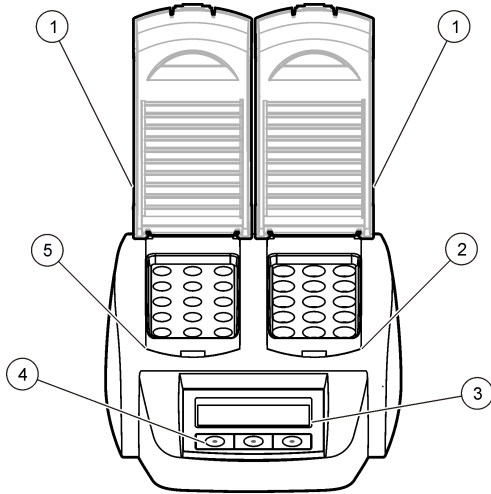
	หากปรากฏสัญลักษณ์นี้บนอุปกรณ์ โปรดดูรายละเอียดจากคู่มือการใช้งานและ/หรือข้อมูลเพื่อความปลอดภัย
	อุปกรณ์อิเล็กทรอนิกส์ที่มีเครื่องหมายนี้ไม่สามารถทิ้งแบบขยะปกติในเขตยุโรปหรือระบบกำจัดขยะสาธารณะได้ ส่งคืนอุปกรณ์เก่าหรือที่หมดอายุการใช้งานให้กับผู้ผลิตเพื่อการกำจัดไม่มีค่าใช้จ่ายใดๆ กับผู้ใช้

	สัญลักษณ์นี้ระบุว่าควรสัมผัสส่วนที่มีการทำเครื่องหมายด้วยความระมัดระวัง
	สัญลักษณ์นี้ระบุว่ารายการที่ถูกทำเครื่องหมายต้องการการเชื่อมต่อสายดินป้องกัน หากเครื่องมือไม่มีปลั๊กสายดินที่สายไฟ โปรดเชื่อมต่อขั้วสายดินเข้ากับขั้วหนึ่งขั้วบนไฟฟ้าป้องกัน

2.2 ภาพรวมผลิตภัณฑ์

อุปกรณ์นี้มีปลั๊กทำความร้อนชนิดหนึ่งหรือสองปลั๊ก ใช้สำหรับทำอุณหภูมิที่ต้องการให้กับสารละลาย ภายในระยะเวลาที่กำหนดรูปที่ 1 มิใช่โปรแกรมสำเร็จรูปให้เลือกใช้งาน

รูปที่ 1 มุมมองด้านหน้า



1 ฝาครอบกันความร้อน	3 จอแสดงผล	5 บล็อกทำความร้อนด้านข้าง
2 บล็อกทำความร้อนด้านขวา	4 ปุ่มกด	

หัวข้อที่ 3 การติดตั้ง

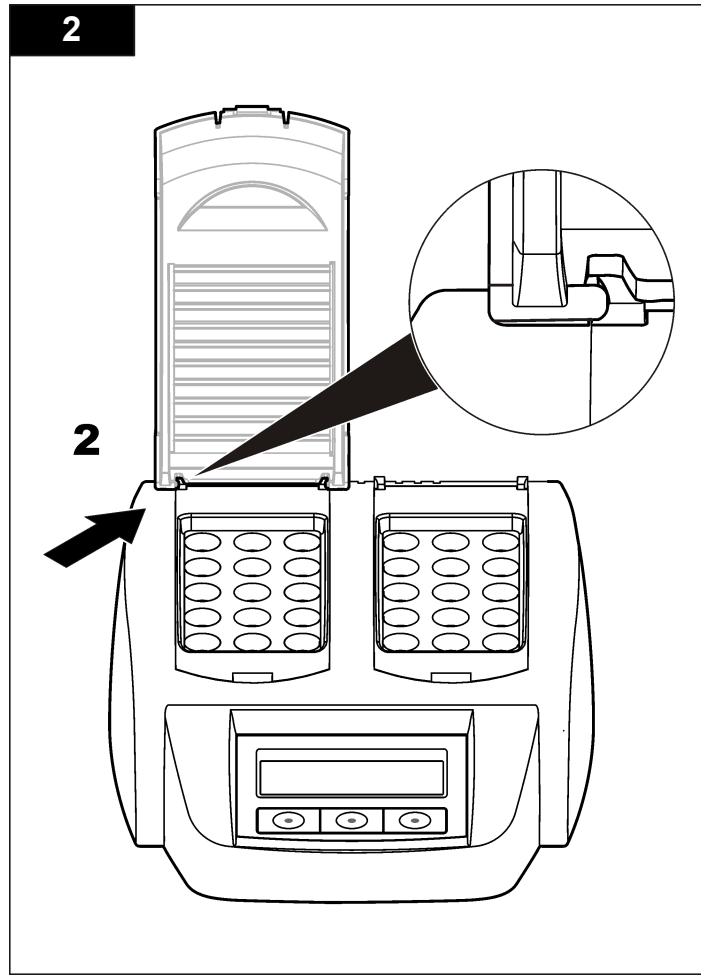
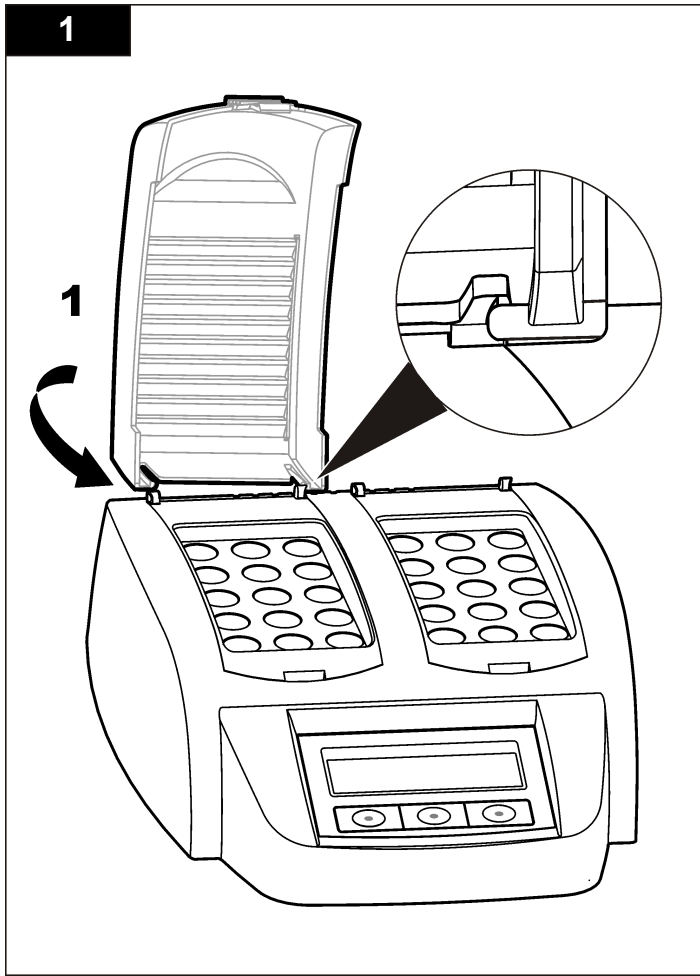
3.1 การติดตั้งฝาครอบกันความร้อน

⚠ คำเตือน



อันตรายจากการกระแทกและโดนลวก ผู้ใช้งานควรติดตั้งฝาครอบกันความร้อน เพื่อป้องกันการบาดเจ็บที่อาจเกิดขึ้นจากการสัมผัสกับบล็อกทำความร้อน และป้องกันไม่ให้สายไฟสัมผัสกับบล็อกทำความร้อนโดยตรง

โปรดดูขั้นตอนที่แสดงไว้ในรูปภาพด้านล่าง

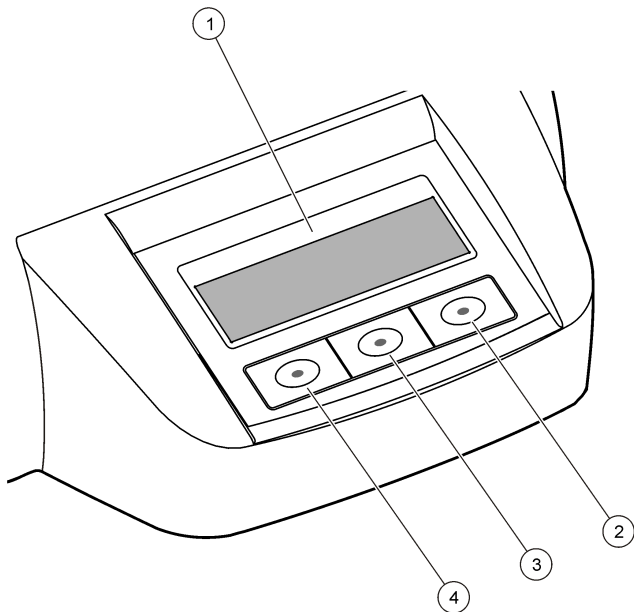


หัวข้อที่ 4 อินเทอร์เฟซผู้ใช้และโครงสร้างเมนู

4.1 การตั้งค่า

ผู้ใช้งานสามารถตั้งค่าการทำงานของตัวเครื่องโดยใช้ปุ่มกดทั้ง 3 ปุ่ม (รูปที่ 2) โดยฟังก์ชันของแต่ละปุ่มจะปรากฏบนจอแสดงผล หากไม่มีฟังก์ชันของปุ่มใด ๆ แสดงบนจอแสดงผล หมายความว่าปุ่มนั้นไม่ได้ใช้สำหรับควบคุมการใช้งานฟังก์ชัน

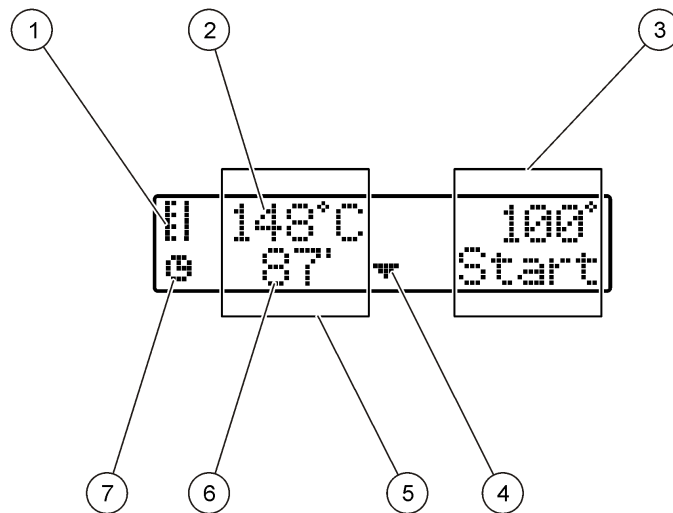
รูปที่ 2 คำอธิบายปุ่มกด



1 จอแสดงผล	3 ปุ่มกดตรงกลาง
2 ปุ่มกดด้านขวา	4 ปุ่มกดด้านซ้าย


4.2 คำอธิบายจอแสดงผล

รูปที่ 3 รูปหน้าจอแสดงผล กรณีที่มีการเปิดใช้งานบล็อกรักษาความร้อนด้านซ้ายเท่านั้น



1 สัญลักษณ์เทอร์โมมิเตอร์	5 บล็อกรักษาความร้อนด้านซ้าย
2 อุณหภูมิของบล็อกรักษาความร้อน	6 เวลาที่เหลืออยู่
3 บล็อกรักษาความร้อนด้านขวา	7 สัญลักษณ์เครื่องตั้งเวลา
4 เป็นลูกศรลง (ใช้เพื่อเลือกโปรแกรม)	

ตาราง 1 สัญลักษณ์เทอร์โมมิเตอร์

สัญลักษณ์	คำอธิบาย
	บล็อกทำความร้อนกำลังเพิ่มอุณหภูมิ
	บล็อกทำความร้อนถึงอุณหภูมิที่ตั้งค่าไว้
	บล็อกทำความร้อนกำลังลดอุณหภูมิ

หัวข้อที่ 5 การเริ่มทำงาน

5.1 เปิดอุปกรณ์

หมายเหตุ
ห้ามเปิดอุปกรณ์ เนื่องจากการทำงานที่นั่นเร็วเกินไป อาจทำให้อุปกรณ์เสียหายได้ กรุณารอประมาณ 20 วินาทีก่อนการเปิดอุปกรณ์ใหม่เสมอ

- วางอุปกรณ์บนพื้นผิวที่มั่นคง ใต้ระดับ และทนความร้อน
- เชื่อมสายไฟเข้ากับช่องเสียบสายไฟที่ด้านหลังของอุปกรณ์
- เชื่อมสายไฟเข้ากับปลั๊กไฟที่มีการเดินสายดิน
- กดปุ่มสวิตช์เปิดปิดที่ด้านหลังของอุปกรณ์เพื่อเปิดอุปกรณ์

5.2 เลือกภาษา

เมื่อต้องการเปลี่ยนการตั้งค่าภาษาเริ่มต้น (ภาษาอังกฤษ):

- กดปุ่มลูกศรซ้ายค้างไว้ แล้วเปิดอุปกรณ์
- กดปุ่มลูกศรขวาแล้วเลื่อนลงตามเมนู จอแสดงผลจะกลับไปจุดเริ่มต้นของเมนูเมื่อถึงท้ายของเมนู

3. เมื่อแสดงภาษาที่ถูกต้อง ให้กดปุ่มของภาษานั้น ดูรายละเอียดใน ตาราง 2

ตาราง 2 การตั้งค่าภาษา



การตั้งค่า	ภาษา	การตั้งค่า	ภาษา
GB	อังกฤษ	E	สเปน
D	เยอรมัน	NL	ดัตช์
F	ฝรั่งเศส	S	สวีเดน
I	อิตาลี	PL	โปแลนด์


5.3 ปรับค่าคอนทราสต์จอแสดงผล


- กดปุ่มกลางค้างไว้ แล้วเปิดอุปกรณ์
- กดปุ่มลูกศรขึ้นและลงค้างไว้เพื่อเปลี่ยนค่าคอนทราสต์
- กด **OK** เพื่อบันทึกการเปลี่ยนแปลง

หัวข้อที่ 6 การทำงาน


⚠ **อันตราย**

 	<p>อาจได้รับอันตรายจากการสัมผัสสารเคมี ปฏิบัติตามขั้นตอนเพื่อความปลอดภัยในห้องปฏิบัติการ และสวมใส่อุปกรณ์ป้องกันทั้งหมด ให้เหมาะสมในการดำเนินงานกับสารเคมีนั้นๆ โปรดดูกฎระเบียบด้านความปลอดภัยได้ที่เอกสารข้อมูลด้านความปลอดภัยฉบับปัจจุบัน (MSDS/SDS)</p>
--	--


⚠ คำเตือน	
	<p>ข้อควรระวังเกี่ยวกับอุปกรณ์ควบคุมจังหวะหัวใจ หากมีการรบกวนจากคลื่นแม่เหล็กไฟฟ้า(EMI) การรบกวนสามารถ:</p> <ul style="list-style-type: none"> หยุดการกระตุ้นการเต้นของชีพจรจากอุปกรณ์ควบคุมจังหวะหัวใจที่คุมจังหวะการเต้นของหัวใจ ทำให้อุปกรณ์ควบคุมจังหวะหัวใจให้จังหวะการเต้นที่ไม่สม่ำเสมอ ทำให้อุปกรณ์ควบคุมจังหวะหัวใจเพิกเฉยต่อจังหวะการเต้นของหัวใจและให้จังหวะการเต้นตามช่วงเวลาที่ตั้งไว้ <p>การวิจัยปัจจุบันแสดงให้เห็นว่าโทรศัพท์มือถือ ไม่ได้ก่อให้เกิดปัญหาด้านสุขภาพกับผู้ใช้อุปกรณ์ควบคุมจังหวะหัวใจ อย่างไรก็ตาม ผู้ที่ใช้อุปกรณ์ควบคุมจังหวะหัวใจควรระมัดระวังเพื่อทำให้นแน่ใจว่าอุปกรณ์ของพวกเขาจะไม่ก่อให้เกิดปัญหา เก็บอุปกรณ์ให้ห่างอย่างน้อย 20 ซม. (7.9 นิ้ว) จากผู้ใช้</p>


⚠ ข้อควรระวัง	
	<p>อันตรายจากการแผ่รังสีคลื่นแม่เหล็กไฟฟ้า ตรวจสอบให้แน่ใจว่าได้รับระยะห่างขั้นต่ำของเสาอากาศไว้ที่ 20 ซม. (7.9 นิ้ว) จากบุคคลใดๆ ในการใช้งานปกติ ไม่สามารถคิดคั้งเสาอากาศร่วมกับ หรือใช้งานเสาอากาศร่วมกับเสาอากาศหรือเครื่องส่งสัญญาณอื่นๆ</p>

6.1 การดำเนินงานตามขั้นตอนประจำ

⚠ ข้อควรระวัง	
	<p>อันตรายจากความร้อน ห้ามแช่ขั้วลงไปในช่องเปิดของปลอกทำความร้อน ปิดฝาป้องกันก่อนเพิ่มอุณหภูมิของปลอกทำความร้อน และปิดฝาป้องกันไว้เสมอในระหว่างการทำงาน</p>

⚠ ข้อควรระวัง	
	<p>อันตรายจากความร้อน หลอดใส่ตัวอย่างร้อน สวมวัสดุทนความร้อน (เช่น ถุงมือ หรือถุงนิ้ว) ห้ามนำหลอดใส่ตัวอย่างที่มีอุณหภูมิสูงกว่า 80 °C ออก ห้ามใส่หลอดใส่ตัวอย่างที่มีอุณหภูมิสูงกว่า 80 °C ในถัลดเลมิเตอร์</p>

⚠ ข้อควรระวัง	
	<p>อันตรายจากสารเคมี หากหลอดใส่ตัวอย่างแตก หลีกเลียงการสัมผัสของเหลว และใช้หน้ากากกันไอความจำเป็นเพื่อป้องกันไอพิษจากสารเคมี</p>

⚠ ข้อควรระวัง	
	<p>อาจได้รับอันตรายจากการสัมผัสสารเคมี การกำจัดสารเคมีและของเสียตามกฎข้อบังคับของท้องถิ่น ภูมิภาค และประเทศ</p>

หมายเหตุ	
<p>เพื่อป้องกันหลอดตัวอย่างและอุปกรณ์จากความเสียหาย ให้รักษาช่องเปิดในปลอกทำความร้อนให้แห้งอยู่เสมอ และหลอดใส่ตัวอย่างที่จะวางลงในปลอกต้องแห้งสนิทเท่านั้น</p>	

หมายเหตุ	
<p>เพื่อป้องกันอุปกรณ์จากความเสียหาย ให้ปลดสายไฟออกทันทีหากมีการกระเซ็นเกิดขึ้น หรือหลอดใส่ตัวอย่างแตก แล้วให้ทำความสะอาดอุปกรณ์ ดูรายละเอียดใน การทำความสะอาดอุปกรณ์ ในหน้า 79</p>	

หมายเหตุ	
<p>ห้ามปิดช่องหมุนเวียนอากาศในฝาป้องกัน อุปกรณ์และหลอดใส่ตัวอย่างอาจร้อนเกินไปและลดความแม่นยำของการวัดได้</p>	

1. เตรียมหลอดใส่ตัวอย่างที่จะทดสอบตามที่ระบุในขั้นตอนการวิเคราะห์
2. ปิดหลอดใส่ตัวอย่างด้วยฝาปิด
3. ทำด้านนอกของหลอดใส่ตัวอย่างให้แห้งสนิท
4. เปิดอุปกรณ์และเปิดฝาป้องกัน โปรแกรมอุณหภูมิที่เลือกล่าสุดจะถูกแสดงบนจอแสดงผล
5. ถ้าใช้หลอดขนาด 16 มม.และปลอกทำความร้อนกับช่องเปิด 20 มม. ให้ใส่ตัวแปลงลดขนาด (Reducing Adaptor) ลงในช่องวางหลอดตัวอย่าง
6. เลือกโปรแกรมอุณหภูมิที่ถูกต้อง (และระยะเวลาของ ค่าแก้ไขข้อ) โดยใช้เป็น แล้วยกด **Start** (เริ่มต้น) ดูรายละเอียดใน [โปรแกรมที่จัดเก็บไว้](#) ในหน้า 79 โปรแกรมอุณหภูมิของปลอกทำความร้อนแต่ละตัวถูกเลือกโดยเป็นอิสระจากกัน ในกรณีที่ไม่มีปลอกทำความร้อนสองตัว
บันทึก: เมื่อต้องการหยุดโปรแกรม ให้กดปุ่มได้โปรแกรมนั้นต่อครั้ง

7. เมื่อปลอกทำความร้อนถึงอุณหภูมิที่เลือก (จะมีเสียงบี๊บ 2 ครั้ง) ให้ใส่หอคอดใส่ตัวอย่างทดสอบลงในปลอกทำความร้อนที่ถูกค็อก แล้วปิดฝาป้องกัน
8. กดปุ่ม **Start** (เริ่มต้น) เพื่อเริ่มโปรแกรม
เวลาจะนับถอยหลังจนถึงศูนย์ (0) เมื่อโปรแกรมย่อยเสร็จสมบูรณ์ อุปกรณ์จะส่งเสียงบี๊บ 3 ครั้ง และเครื่องให้ความร้อนจะปิดลง

6.2 โปรแกรมที่จัดเก็บไว้

ตาราง 3 ให้คำอธิบายโปรแกรมอุณหภูมิที่จัดเก็บไว้

ตาราง 3 โปรแกรมที่จัดเก็บไว้

โปรแกรม	คำอธิบาย
COD	เพิ่มอุณหภูมิของเซลล์ตัวอย่างเป็น 150 °C นาน 120 นาที ในระหว่างการเย็นตัว จะมีเสียงบี๊บ 4 ครั้ง เมื่อเซลล์ตัวอย่างมีอุณหภูมิ 120 °C ให้นำเซลล์ตัวอย่างออกและพลิกเซลล์ตัวอย่างกลับหัวหลายๆ ครั้ง ก่อนจะทำให้เซลล์ตัวอย่างลดอุณหภูมิอยู่ภายในขึ้น
TOC	เพิ่มอุณหภูมิของเซลล์ตัวอย่างเป็น 105 °C นาน 120 นาที สามารถใช้โปรแกรมอุณหภูมิ TOC กับการทดสอบเซลล์ตัวอย่าง Hach TOC ทั้งหมด
100 °C	เพิ่มอุณหภูมิของเซลล์ตัวอย่างเป็น 100 °C นาน 30, 60 หรือ 120 นาที ตัวอย่าง เช่น โปรแกรมอุณหภูมิ "100 °C, 60 minutes" (100 °C, 60 นาที) ถูกใช้เพื่อ: <ul style="list-style-type: none"> • ย่อยตัวอย่างโดยใช้ Metals Prep Set • ระบุฟอสเฟตและโครเมียม • ย่อยโลหะหนัก
105 °C	เพิ่มอุณหภูมิของเซลล์ตัวอย่างเป็น 105 °C นาน 30, 60 หรือ 120 นาที
150 °C	เพิ่มอุณหภูมิของเซลล์ตัวอย่างเป็น 150 °C นาน 30, 60 หรือ 120 นาที
165 °C	เพิ่มอุณหภูมิของเซลล์ตัวอย่างเป็น 165 °C นาน 30, 60 หรือ 120 นาที

6.3 โปรแกรมของผู้ใช้

DRB 200 มีโปรแกรมอุณหภูมิ 3 โปรแกรมที่กำหนดค่าโดยผู้ใช้ (PRG1–PRG3)

การตั้งค่าโปรแกรมของผู้ใช้ (User Program)

1. เลือกโปรแกรมอุณหภูมิของผู้ใช้โดยการใช่แป้น
2. กด **Prog** (โปรแกรม) เพื่อเข้าในโหมดการโปรแกรม
3. เลือกชื่อ 4 ตัวอักษรสำหรับโปรแกรม กดแป้นลูกศรซ้ายเพื่อเปลี่ยนตัวอักษร กดแป้นลูกศรขวาเพื่อย้ายเคอร์เซอร์ไปที่ตำแหน่งถัดไป กด **OK** เพื่อบันทึกการเปลี่ยนแปลง
4. กดแป้นลูกศรขึ้นและลง เพื่อตั้งอุณหภูมิ (37 to 165 °C) กด **OK** เพื่อบันทึกการเปลี่ยนแปลง
5. กดแป้นลูกศรขึ้นและลง เพื่อตั้งเวลา (0 to 480 นาที) กด **OK** เพื่อบันทึกการเปลี่ยนแปลง
6. กด **OK** เพื่อบันทึกโปรแกรม

หัวข้อที่ 7 การดูแลรักษา

⚠ ข้อควรระวัง



อันตรายหลายประการ บุคลากรผู้เชี่ยวชาญเท่านั้นที่ควรดำเนินการตามขั้นตอนที่ระบุในเอกสารส่วนนี้

หมายเหตุ

ห้ามถอดแยกชิ้นส่วนอุปกรณ์ในการบำรุงรักษา หากจำเป็นต้องทำความสะอาดหรือซ่อมแซมส่วนประกอบภายใน ให้ทำการติดต่อผู้ผลิต

7.1 การทำความสะอาดอุปกรณ์

รักษาความปลอดภัยของอุปกรณ์เพื่อให้สามารถใช้งานได้ต่อเนื่องและถูกต้อง

⚠ ข้อควรระวัง



อันตรายจากไฟ ห้ามใช้สารที่ติดไฟได้ทำความสะอาดอุปกรณ์

⚠️ ข้อควรระวัง

อันตรายจากความร้อน ห้ามทำความสะอาดอุปกรณ์ในขณะที่ยังร้อนอยู่

หมายเหตุ

เพื่อป้องกันอุปกรณ์จากความเสียหาย ห้ามใช้สารพวกเทอร์เพน โทลีน อะซิโตน หรือผลิตภัณฑ์คล้ายคลึงกันทำความสะอาดอุปกรณ์รวมทั้งจนถึงแสดงผล

1. ปิดอุปกรณ์และถอดสายไฟออก
2. เมื่ออุปกรณ์เย็นแล้ว ให้ทำความสะอาดพื้นผิวของอุปกรณ์ด้วยผ้านุ่มชุบน้ำหรือน้ำสบู่อ่อนขนาด 4 และตรวจสอบให้แน่ใจว่าไม่มีน้ำเข้าไปในอุปกรณ์ ตรวจสอบให้แน่ใจว่าไม่มีน้ำเข้าไปในอุปกรณ์

กรณีที่มีของเหลว/สารเคมีจากหลอดใส่ตัวอย่างหก หรือหลอดใส่ตัวอย่างแตก:

1. ปิดเครื่อง และถอดสายไฟออก
2. รอให้อุณหภูมิของบล็อกทำความร้อนและหลอดใส่ตัวอย่างเย็นลง
3. ใช้ปิเปต (pipette) ต่อย ๆ อลูมิเนียมของเหลวออกจากหลอดใส่ตัวอย่าง ระวังอย่าให้ของเหลวที่หกสัมผัสผิวหนังและอุปกรณ์ต่างๆ
4. เทของเหลวทิ้ง เพื่อรอกำจัดอย่างเหมาะสม
5. ใช้ปากปิเปตแก้วที่แตกออก เอาของเหลวทั้งหมดที่ยังเหลืออยู่ในอุปกรณ์ออก อย่าให้ของเหลวสัมผัสผิว

7.2 วัตถุประสงค์ของบล็อกทำความร้อน

วัตถุประสงค์ของบล็อกทำความร้อนเพื่อให้แน่ใจว่าอุณหภูมิที่แสดงบนจอแสดงผลถูกต้อง

อุณหภูมิที่แสดงบนจอแสดงผลคืออุณหภูมิในหลอดใส่ตัวอย่างที่ถูกปิดอยู่ซึ่งมีของเหลวบรรจุอยู่ ขณะที่อุณหภูมิของบล็อกทำความร้อนกำลังเพิ่มขึ้น อุณหภูมิของบล็อกทำความร้อน ใกล้กับตัวทำความร้อน อาจสูงกว่าอุณหภูมิที่แสดงบนจอแสดงผล

เครื่องมือที่ต้องการ:

- หลอดใส่ตัวอย่าง (รหัสสินค้า: 2275800)
- กลีเซอรอล (ปราศจากน้ำ) 5 มิลลิลิตร
- เทอร์โมมิเตอร์ แบบแท่ง ปริมาตรสำหรับอุณหภูมิ 95 ถึง 170 °C (203 ถึง 338 °F)

เมื่อต้องการ วัดอุณหภูมิของบล็อกทำความร้อน:

1. เดิมทีเซอร์อลที่มีอุณหภูมิเท่าอุณหภูมิห้องลงในหลอดใส่ตัวอย่างที่วางเปล่าและสะอาด
2. เดิมทีเซอร์อลที่มีอุณหภูมิเท่าอุณหภูมิห้องลงในหลอดใส่ตัวอย่างที่วางเปล่าและสะอาด
3. ตรวจสอบให้แน่ใจว่าระดับของกลีเซอรอลคือ 56 มม. ± 0.5 มม. (2.20 นิ้ว ± 0.02 นิ้ว) สูงจากด้านล่างของหลอดใส่ตัวอย่างเมื่อเทอร์โมมิเตอร์อยู่ในหลอดใส่ตัวอย่าง
4. ใส่หลอดใส่ตัวอย่างลงในช่องเปิดตรงกลางของบล็อกทำความร้อนแถวที่สอง
5. เลือกโปรแกรมอุณหภูมิ 150 °C เป็นเวลา 60 นาทีโดยใช้เป็น แล้วยกด **OK**
6. เมื่อบล็อกทำความร้อนถึงอุณหภูมิที่เลือก (จะมีเสียงบี๊บ 2 ครั้ง) อุณหภูมิของเทอร์โมมิเตอร์จะเท่ากับอุณหภูมิที่แสดงบนจอแสดงผล

หัวข้อที่ 8 การแก้ไขปัญหา

ดูที่ ตาราง 4 สำหรับข้อความแสดงข้อผิดพลาด สาเหตุที่เป็นไปได้ และวิธีแก้ไข

ตาราง 4 ข้อความระบุข้อผิดพลาด

ข้อผิดพลาด	แนวทางแก้ไขปัญหา
BLOCK IS TOO HOT! (บล็อกร้อนเกินไป!)	อุณหภูมิของบล็อกทำความร้อนสูงกว่าอุณหภูมิที่เลือก ให้รอนจนกระทั่งอุณหภูมิของบล็อกทำความร้อนลดลง
PLEASE WAIT (โปรดรอสักครู่)	อุปกรณ์มีความบกพร่อง โปรดติดต่อฝ่ายบริการลูกค้า
INIT ERROR (การเตรียมใช้งานเกิดผิดพลาด)	อุปกรณ์มีความบกพร่อง โปรดติดต่อฝ่ายบริการลูกค้า

หัวข้อที่ 9 ชิ้นส่วนอะไหล่และอุปกรณ์เสริม

⚠️ คำเตือน

อันตรายต่อการบาดเจ็บของบุคคล การใช้ชิ้นส่วนที่ไม่ได้รับการอนุญาตอาจทำให้เกิดการบาดเจ็บของบุคคล ความเสียหายของเครื่องมือ หรือการทำงานผิดพลาดของอุปกรณ์ ชิ้นส่วนทดแทนในชิ้นนี้ได้รับการรับรองโดยผู้ผลิต

บันทึก: หมายเลขผลิตภัณฑ์และส่วนประกอบอาจแตกต่างกันไปตามภูมิภาคที่จัดจำหน่าย ติดต่อตัวแทนจำหน่ายหรือไปที่เว็บไซต์ของบริษัทเพื่อดูรายการติดต่อ

ส่วนประกอบสำหรับเปลี่ยนแทน

คำอธิบาย	จำนวน	หมายเลขสินค้า
ฝาครอบกันความร้อน	1	LZT048

อุปกรณ์เสริม

คำอธิบาย	จำนวน	หมายเลขสินค้า
ตัวแปลงลดขนาด 20 > 16 มม.	1	HHA155
ตัวแปลงลดขนาด 16 > 13 มม.	1	2895805
หลอด 16 x 100 มม.	1	2275800
หลอด 16 x 100 มม.	6	2275806
เทอร์โมมิเตอร์ 0 to 200 °C	1	4565500

جدول المحتويات

1	المواصفات في صفحة 82	6	التشغيل في صفحة 86
2	معلومات عامة في صفحة 82	7	الصيانة في صفحة 88
3	التركيب في صفحة 83	8	استكشاف الأخطاء وإصلاحها في صفحة 89
4	واجهة المستخدم والتنقل في صفحة 85	9	قطع الغيار والملحقات في صفحة 89
5	بدء التشغيل في صفحة 86		

القسم 1 المواصفات

تخضع المواصفات للتغيير من دون إشعار.

المواصفات	التفاصيل
الشهادات	cTUVus و CE
الارتفاع	2000 م
الظروف البيئية	استخدام داخلي
درجة التلوث	2
فئة الجهد الزائد	الثانية
تصنيف الضميمة	IP20

القسم 2 معلومات عامة

لا تتحمل الشركة المصنعة بأي حال من الأحوال المسؤولية عن الأضرار المباشرة أو غير المباشرة أو الخاصة أو العرضية أو اللاحقة الناتجة عن أي سهو أو خطأ في هذا الدليل. وتحتفظ الشركة المصنعة بالحق في إجراء تغييرات على هذا الدليل والمنتجات الموضحة به في أي وقت، دون إشعار أو التزام مسبق. يمكن العثور على الإصدارات التي تمت مراجعتها على موقع الشركة المصنعة على الويب.

2.1 معلومات السلامة

الشركة المصنعة غير مسؤولة عن أية أضرار تنتج عن سوء استخدام هذا المنتج، بما في ذلك على سبيل المثال لا الحصر الأضرار المباشرة والعرضية واللاحقة، وتخلي مسؤوليتها عن مثل هذه الأضرار إلى الحد الكامل المسموح به وفق القانون المعمول به. يتحمل المستخدم وحده المسؤولية الكاملة عن تحديد مخاطر الاستخدام الحرجة وتركيب الأليات المناسبة لحماية العمليات أثناء أي قصور محتمل في تشغيل الجهاز.

يُرجى قراءة هذا الدليل بالكامل قبل تفريغ محتويات العبوة أو إعداد هذا الجهاز أو تشغيله. انتبه جيدًا لجميع بيانات الخطر والتنبيه. فإن عدم الالتزام بذلك قد يؤدي إلى إصابة خطيرة تلحق بالمشغل أو تلف بالجهاز.

تأكد أن الحماية التي يوفرها هذا الجهاز لم تضعف. تجنب استخدام هذا الجهاز أو تركيبه بأية طريقة بخلاف الموضحة في هذا الدليل.

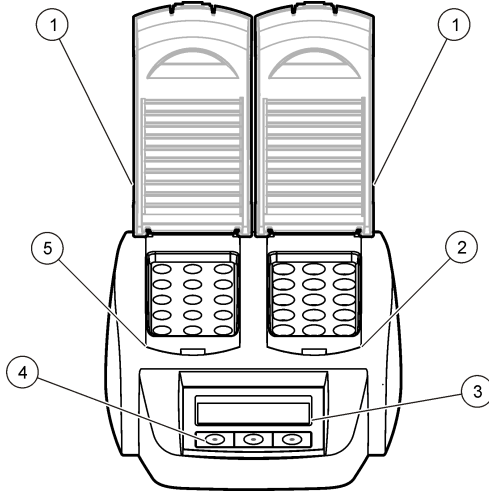
2.1.1 استخدام معلومات الخطر

⚠️ خطر

يشير إلى موقف خطير محتمل أو وشيك والذي إذا لم يتم تجنبه، فسوف يؤدي إلى الوفاة أو يتسبب في حدوث إصابة خطيرة.

المواصفات	التفاصيل
الأبعاد	25 × 14.5 × 31 سم (9.8 × 5.7 × 12.2 بوصة)
الوزن	كتلة تسخين واحدة: 2 كجم (4,4 أرطال) مجموعة تسخين مزدوجة: 2,8 كجم (6,17 رطلاً)
متطلبات الطاقة	100–240 فولت، +5%–15%، 50/60 هرتز، فئة الحماية I
دخل الطاقة	كتلة تسخين واحدة: 115 فولت: 300 فولت أمبير؛ 230 فولت: 450 فولت أمبير مجموعة التسخين المزدوج: 115 فولت: 600 فولت أمبير؛ 230 فولت: 900 فولت أمبير
درجة حرارة التخزين	-40 إلى 60 درجة مئوية (-40 إلى 140 درجة فهرنهايت)
درجة حرارة التشغيل	من 10 إلى 45 درجة مئوية (من 50 إلى 113 درجات فهرنهايت)
رطوبة التشغيل	90% (بدون تكاثف)
نطاق درجة الحرارة	من 37 إلى 165 درجة مئوية (من 98.6 إلى 329 درجات فهرنهايت)
استقرار درجة الحرارة	المؤقت: من 0 إلى 480 دقيقة ± 2 درجة مئوية (± 3.5 درجة فهرنهايت)
معدل التسخين	من 20 إلى 150 درجة مئوية (من 68 إلى 302 درجة فهرنهايت) في غضون 10 دقائق

الشكل 1 منظر أمامي



1	غطاء واق	3	شاشة العرض	5	كتلة التسخين اليسرى
2	كتلة التسخين اليمنى	4	المفاتيح		

القسم 3 التركيب

3.1 تركيب الأغذية الواقية

⚠ تحذير	
	خطر التعرض للصدمات والحروق. يجب تركيب الغطاء الواقى لمنع الإصابة الشخصية. يمنع الغطاء الواقى حدوث الحروق ويلامس سلك الطاقة كتلة التسخين.

راجع الخطوات المبينة في الصور التالية.

⚠ تحذير

يشير إلى موقف خطير محتمل أو وشيك والذي إذا لم يتم تجنبه، فسوف يؤدي إلى الوفاة أو يتسبب في حدوث إصابة خطيرة.

⚠ تنبيه

يشير إلى موقف خطير محتمل يمكن أن يؤدي إلى إصابة طفيفة أو متوسطة.

إشعار

يشير إلى موقف، إذا لم يتم تجنبه، يمكن أن يؤدي إلى تلف الجهاز. معلومات تتطلب تأكيداً خاصاً.

2.1.2 الملصقات الوقائية

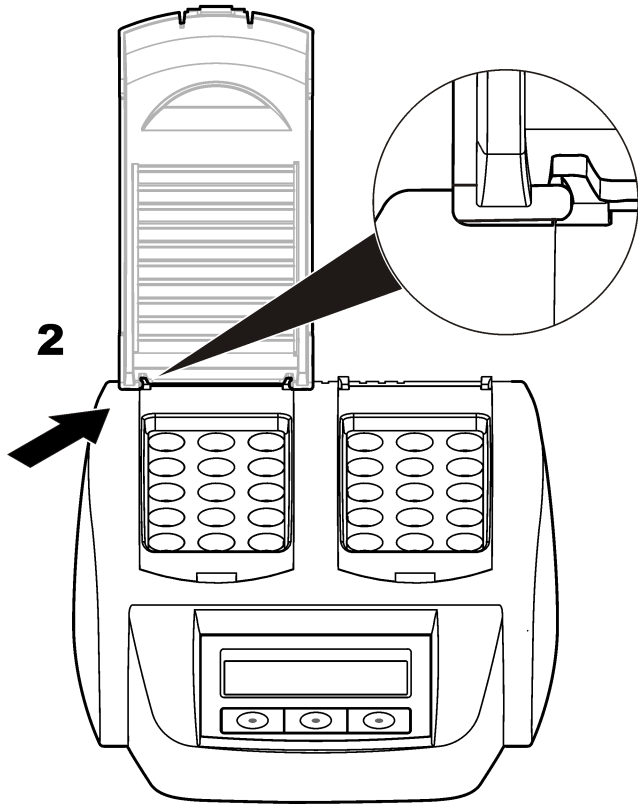
اقرأ جميع الملصقات والعلامات المرفقة بالجهاز. فمن الممكن أن تحدث إصابة شخصية أو يتعرض الجهاز للتلف في حالة عدم الانتباه لها. رمز، في حالة ملاحظته على الجهاز، يكون مصحوباً ببيان خطر أو تحذير بهذا الدليل.

	هذا الرمز إذا تمت ملاحظته على الجهاز، فإنه يشير إلى دليل الإرشادات لمعرفة معلومات التشغيل وأبو السلامة.
	لا يمكن التخلص من الأجهزة الكهربائية التي تحمل هذا الرمز في الأنظمة الأوروبية للتخلص من النفايات المحلية أو العامة. لكن يتم إرجاع الجهاز القديم أو منتهى الصلاحية إلى الشركة المصنعة للتخلص منه بدون أن يتحمل المستخدم أي رسوم.
	يشير هذا الرمز إلى أن العنصر المميز به قد يكون ساخناً، وبالتالي يجب عدم ملامسته بدون حذر.
	يشير هذا الرمز إلى أن العنصر المميز به يتطلب توصيلاً مانعاً للتسرب الأرضي. إذا كان الجهاز غير مزود بقابس أرضي على السلك، فيصّل مانع التسرب الأرضي بطرف موصل الحماية. إذا لم تقدم مع المكونات على الحبل، وربط الأرض الإيجابية لهذه المحطة (يوفر مجموعة الحبل الولايات المتحدة الأرض).

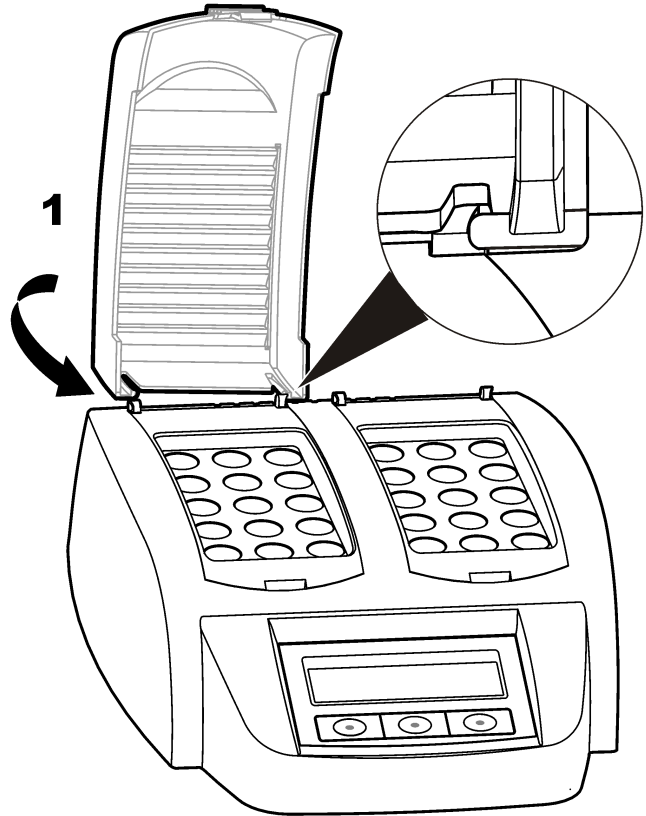
2.2 نظرة عامة على المنتج

تحتوي هذه الأداة على واحدة أو اثنتين من كتل التسخين التي تزيد درجة حرارة المحاليل في خلايا العينة الدائرية إلى درجة حرارة محددة لفترة زمنية محددة (الشكل 1). هناك ستة برامج درجة حرارة مخزنة وثلاثة برامج لدرجة الحرارة يقوم المستخدم بتكوينها وحفظها.

2



1

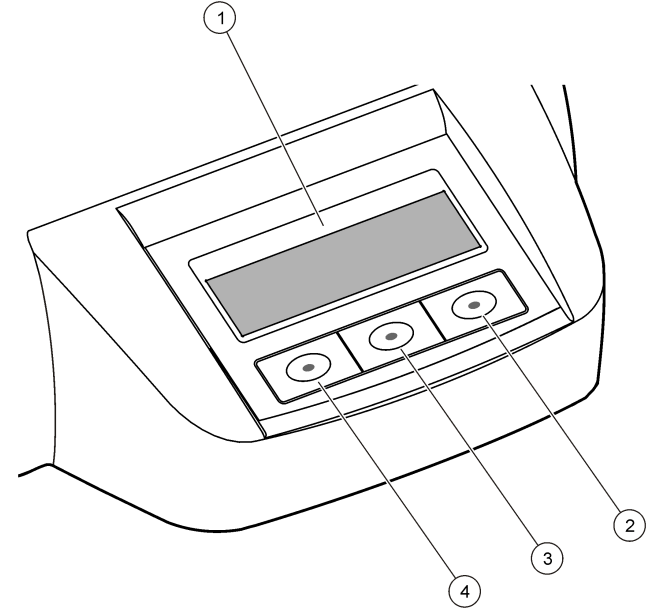


القسم 4 واجهة المستخدم والتنقل

4.1 واجهة المستخدم

يتم تشغيل الجهاز باستخدام ثلاثة مفاتيح موجودة أسفل الشاشة (الشكل 2). تظهر وظيفة كل مفتاح على شاشة العرض. إذا لم تظهر أي وظيفة للمفتاح، فهذا يعني أن هذا المفتاح غير نشط حالياً.

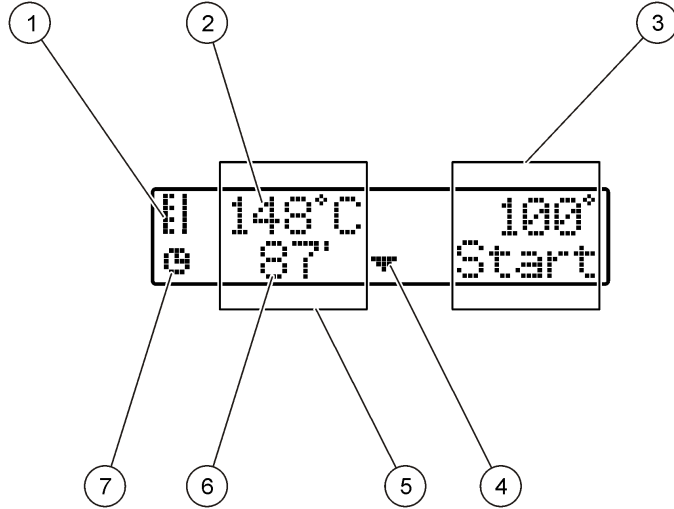
الشكل 2 وصف لوحة المفاتيح



1	شاشة العرض	3	المفتاح الأوسط
2	المفتاح الأيمن	4	المفتاح الأيسر

4.2 وصف الشاشة

الشكل 3 يتم عرض الشاشة عندما يكون أحد البرامج نشطاً على يسار مجموعة التسخين فقط



1	رمز مقياس الحرارة	5	كتلة التسخين اليسرى
2	درجة حرارة كتلة التسخين	6	الوقت المتبقي
3	كتلة التسخين اليمنى	7	رمز المؤقت
4	مفتاح السهم لأسفل (استخدم لتحديد البرنامج)		

الجدول 1 رموز مقياس الحرارة

الرمز	الوصف
	تزداد درجة حرارة كتلة التسخين.
	تكون كتلة التسخين في درجة الحرارة المحددة.
	تنخفض درجة حرارة كتلة التسخين.

القسم 5 بدء التشغيل

5.1 قم بتشغيل الجهاز

إشعار

لا تقم بإيقاف تشغيل الجهاز وتشغيله بسرعة حيث قد يؤدي ذلك إلى تلف الجهاز. انتظر دائمًا حوالي 20 ثانية قبل تشغيل الجهاز مرة أخرى.

1. ضع الجهاز على سطح ثابت ومستوي ومقاوم للحرارة.
2. قم بتوصيل سلك الطاقة بقياس الطاقة في الجهة الخلفية من الجهاز.
3. قم بتوصيل سلك الطاقة بمقياس الطاقة مع ملامسة الطرف الأرضي.
4. اضغط على مفتاح الطاقة الموجود في الجزء الخلفي للجهاز لتشغيله.

5.2 حدد اللغة

لتغيير إعداد اللغة الافتراضي (الإنجليزية):

1. اضغط باستمرار على المفتاح الأيسر وقم بتشغيل الجهاز.
2. اضغط على مفتاح سهم اليمين للتمرير خلال القائمة. تعود الشاشة إلى بداية القائمة في نهاية القائمة.
3. عند ظهور اللغة الصحيحة، اضغط على مفتاح اللغة. راجع الجدول 2.

الجدول 2 إعدادات اللغة

الإعداد	Language (اللغة)	الإعداد	Language (اللغة)
GB	إنجليزي	E	الإسبانية
D	الألمانية	NL	الهولندية
F	الفرنسية	S	السويدية
الأولى	الإيطالية	PL	البولندية

5.3 تعيين مستوى تباين الشاشة


1. اضغط باستمرار على المفتاح الأوسط وقم بتشغيل الجهاز.
2. اضغط مطولاً على مفتاحي السهمين لأعلى ولأسفل لتغيير قيمة التباين.
3. اضغط على OK (موافق) لحفظ التغيير.

القسم 6 التشغيل

⚠️ خطر



خطر التعرض الكيميائي. التزم بإجراءات الأمان المعملية وارتي جميع معدات الحماية الشخصية المناسبة للمواد الكيميائية التي يتم التعامل معها. اطلع على صحائف بيانات سلامة المواد (MSDS/SDS) الحالية للتعرف على بروتوكولات السلامة.

⚠️ تنبيه ه	
المخاطر الكيميائية. إذا انكسرت خلية نموذجية، فلا تدع السائل يلامس الجلد. استخدم غطاء أبخرة حسب الضرورة لإزالة الأدخنة الكيميائية.	

⚠️ تنبيه ه	
خطر التعرض الكيميائي. تخلس من المواد الكيميائية والفضلات بما يتوافق مع اللوائح المحلية والإقليمية والوطنية.	


إشعار	
لمنع تلف خلايا العينة والألات، احتفظ بالفتحات الموجودة في كتلة التسخين جافة. جفف الجزء الخارجي من خلايا العينة بالكامل.	

إشعار	
لمنع تلف الجهاز، فصل الطاقة على الفور إذا حدث انسكاب غير مقصود أو إذا انكسرت عينة خلية، ثم نظف الجهاز. راجع تنظيف الجهاز في صفحة 88.	


إشعار	
لا تقم بتغطية فتحات التهوية في الغطاء الواقي. قد ترتفع درجة حرارة الأداة وخلايا العينة بدرجة كبيرة مما يقلل من دقة القياس.	


1. قم بإعداد خلايا عينة الاختبار كما هو محدد في إجراء التحليل.
 2. أعلق نموذج الخلايا باستخدام الغطاء.
 3. جفف الجزء الخارجي من خلايا العينة بالكامل.
 4. قم بتشغيل الجهاز وافتح الغطاء الواقي. يتم عرض آخر برنامج (برامج) درجة حرارة محدد على الشاشة.
 5. إذا كنت تستخدم أنابيب بحجم 16 مم مع كتلة تسخين مع فتحات بحجم 20 مم، فضع مهايئات تقليل في الفتحات.
 6. حدد برنامج درجة الحرارة الصحيحة (وفترة الاستيعاب إذا أمكن) باستخدام المفاتيح، ثم اضغط على **Start (بدء)**. راجع **البرامج المخزنة** في صفحة 88. يتم تحديد برنامج درجة الحرارة بشكل مستقل لكل كتلة تسخين عندما تكون هناك كتلتنا تسخين.
- ملاحظة:** لإيقاف برنامج، اضغط على المفتاح الموجود أسفل البرنامج مرتين.

⚠️ تحذير	
احتياطات خاصة بمنظم ضربات القلب. في حال حدوث تداخل كهرومغناطيسي (EMI)، قد يؤدي إلى:	
<ul style="list-style-type: none"> • وقف النبضات التحفيزية الصادرة من منظم ضربات القلب والتي تتحكم في نبضات القلب. • جعل النبضات الصادرة من منظم ضربات القلب غير منتظمة. • جعل منظم ضربات القلب يتجاهل نبضات القلب ويُنْتِج نبضات تحفيزية على فترات زمنية معينة. <p>تظهر الأبحاث الحالية أن الأجهزة الخلوية لا تسبب أي مشكلات صحية كبيرة لمعظم مستخدمي منظمات ضربات القلب. لكن، يجب على مستخدمي منظمات ضربات القلب اتباع الاحتياطات للتأكد من أن أجهزتهم لا تسبب أي مشكلة. ضع الجهاز على بُعد 20 سم (7.9 بوصة) على الأقل من المستخدم.</p>	

⚠️ تنبيه ه	
خطر الإشعاع الكهرومغناطيسي. تأكد من الاحتفاظ بالهوائي على مسافة تبلغ 20 سم (7.9 بوصة) كحد أدنى عن جميع طاقم العمل أثناء الاستخدام العادي. لا يمكن أن يتواجد الهوائي جنبًا إلى جنب أو يتم تشغيله بالتزامن مع أي هوائي أو أجهزة إرسال أخرى.	

6.1 التشغيل الروتيني

⚠️ تنبيه ه	
مخاطر الحروق. لا تضع إصبعًا في إحدى فتحات كتلة التسخين. ألقِ الغطاء الواقي قبل زيادة درجة حرارة كتلة التسخين، وأبقِ الغطاء الواقي مغلقًا دائمًا أثناء التشغيل.	

⚠️ تنبيه ه	
مخاطر الحروق. خلايا العينة ساخنة. ارتدِ مادة عازلة حرارية (على سبيل المثال، القفازات أو أغطية الأصابع). لا تقم بإزالة عينة خلية أكبر من 80 درجة مئوية. ولا تضع عينة خلية أكبر من 80 درجة مئوية في عداد ألوان.	

7. عندما تكون كتلة التسخين في درجة الحرارة المحددة (بتم سماع إشارتين صوتيتين)، ضع خلايا عينة الاختبار في كتلة التسخين الصحيحة وأغلق الغطاء الواقي.
8. اضغط على **Start (بدء)** لبدء البرنامج.

يتم عد الوقت إلى صفر (0). عند اكتمال برنامج الاستيعاب، يتم سماع ثلاث إشارات صوتية ويتوقف جهاز التسخين عن العمل.

6.2 البرامج المخزّنة

الجدول 3 يقدم أوصافاً لبرامج درجة الحرارة المخزّنة.

الجدول 3 البرامج المخزّنة

البرنامج	الوصف
COD	زيادة درجة حرارة خلايا العينة إلى 150 درجة مئوية لمدة 120 دقيقة. في مرحلة التبريد، يتم سماع أربع إشارات صوتية عندما تكون خلايا العينة عند 120 درجة مئوية. قم بإزالة خلايا العينة وقلّبها بعناية عدة مرات قبل السماح لها بتقليل درجة الحرارة في الحامل.
TOC	زيادة درجة حرارة خلايا العينة إلى 105 درجة مئوية لمدة 120 دقيقة. يمكن استخدام برنامج درجة حرارة TOC لجميع اختبارات خلايا عينات Hach TOC.
100 درجة مئوية	زيادة درجة حرارة خلايا العينة إلى 100 درجة مئوية لمدة 30 أو 60 أو 120 دقيقة. على سبيل المثال، يُستخدم برنامج درجة الحرارة "100 درجة مئوية، 60 دقيقة" من أجل:
	<ul style="list-style-type: none"> استيعاب العينات باستخدام مجموعة Metals Prep تحديد الفوسفات والكروم استيعاب المعادن الثقيلة
105 درجة مئوية	زيادة درجة حرارة خلايا العينة إلى 105 درجة مئوية لمدة 30 أو 60 أو 120 دقيقة.
150 درجة مئوية	زيادة درجة حرارة خلايا العينة إلى 150 درجة مئوية لمدة 30 أو 60 أو 120 دقيقة.
165 درجة مئوية	زيادة درجة حرارة خلايا العينة إلى 165 درجة مئوية لمدة 30 أو 60 أو 120 دقيقة.

6.3 برامج المستخدم

يحتوي DRB 200 على ثلاثة برامج لدرجة الحرارة يقوم المستخدم بتكوينها (PRG1-PRG3). لتكوين برنامج درجة حرارة المستخدم:

1. حدد برنامج درجة حرارة المستخدم باستخدام المفاتيح.
2. اضغط على **Prog (برمجة)** للدخول إلى وضع البرمجة.
3. حدد اسماً مكوناً من 4 أحرف للبرنامج. اضغط على المفتاح الأيسر لتغيير الحرف. اضغط على مفتاح السهم لليمين لتحريك المؤشر إلى الموضع التالي. اضغط على **OK (موافق)** لحفظ التغيير.
4. اضغط مطولاً على مفتاحي السهمين لأعلى ولأسفل لتعيين درجة الحرارة (37 إلى 165 درجة مئوية). اضغط على **OK (موافق)** لحفظ التغيير.
5. اضغط مطولاً على مفتاحي السهمين لأعلى ولأسفل لتعيين الوقت (من 0 إلى 480 دقيقة). اضغط على **OK (موافق)** لحفظ التغيير.
6. اضغط على **OK (موافق)** لحفظ البرنامج.

القسم 7 الصيانة

⚠️ تنبيه ه

مخاطر متعددة. يجب عدم إجراء المهام الموضحة في هذا القسم من المستند إلا بواسطة الموظفين المؤهلين لذلك فقط.



إشعار

تجنب تفكيك الجهاز من أجل الصيانة. وفي حالة ضرورة تنظيف المكونات الداخلية أو إصلاحها، اتصل بالشركة المصنعة.

7.1 تنظيف الجهاز

حافظ على نظافة الجهاز للحصول على التشغيل المستمر والدقيق.

⚠️ تنبيه ه

خطر نشوب حريق. لا تستخدم المواد القابلة للاشتعال لتنظيف الجهاز.



⚠️ تنبيه

مخاطر الحروق. لا تنظف الجهاز عندما يكون ساخنًا.



إشعار

لمنع تلف الجهاز، لا تستخدم مواد تنظيف مثل زيت التربنتين أو الأستون أو منتجات مشابهة لتنظيف الجهاز بما في ذلك الشاشة.

1. املأ خلية عينة نظيفة وفارغة بالجليسرول في درجة حرارة الغرفة.
2. ضع مقياس الحرارة في خلية العينة حتى يلمس مقياس الحرارة قاع خلية العينة.
3. تأكد من أن مستوى الجليسرول هو $56 \pm 0,5$ مم ($2,20$ بوصة $\pm 0,02$ بوصة) من أسفل خلية العينة عندما يكون مقياس الحرارة في خلية العينة.
4. ضع خلية العينة في الفتحة الوسطى للصف الثاني من كتلة التسخين.
5. حدد برنامج درجة حرارة 150 درجة مئوية لمدة 60 دقيقة باستخدام المفاتيح، ثم اضغط على OK (موافق).
6. عندما تكون كتلة التسخين في درجة الحرارة المحددة (يتم سماع صافرتين)، يجب أن تكون درجة حرارة مقياس الحرارة هي نفسها درجة الحرارة المعروضة على الشاشة.

القسم 8 استكشاف الأخطاء وإصلاحها

راجع الجدول 4 للتعرف على رسائل الخطأ والأسباب المحتملة والإجراءات التصحيحية.

الجدول 4 رسائل الخطأ

الخطأ	الحل
BLOCK IS TOO HOT! PLEASE WAIT (الكتلة ساخنة للغاية! يرجى الانتظار)	درجة حرارة كتلة التسخين أكبر من درجة الحرارة المحددة. انتظر حتى تنخفض درجة حرارة كتلة التسخين.
INIT ERROR (خطأ في الجهاز)	الجهاز معيب. اتصل بخدمة العملاء.

القسم 9 قطع الغيار والملحقات

⚠️ تحذير

خطر الإصابة الشخصية. قد يؤدي استخدام الأجزاء غير المعتمدة إلى الإصابة الشخصية أو تلف الجهاز أو قصور في تشغيله. قطع الغيار الواردة في هذا القسم هي قطع معتمدة من الشركة المصنعة.



ملاحظة: تختلف أرقام المنتج والبنود حسب بعض مناطق البيع. اتصل بالموزع المناسب أو راجع موقع الشركة على الويب لمعرفة جهة الاتصال.

1. أوقف تشغيل الجهاز وافصل سلك الطاقة.
2. عندما تكون الأداة باردة، نظف سطح الجهاز بقطعة قماش ناعمة رطبة ومحلول صابون ضعيف. تأكد من عدم دخول أي ماء إلى الجهاز.

إذا انسكب السائل في خلية العينة أو انكسرت خلية العينة:

1. أوقف تشغيل الجهاز وافصل سلك الطاقة.
2. اترك درجة حرارة كتلة (كتل) التسخين وخلياء العينة تنخفض إلى أن تبرد.
3. أزل السائل باستخدام الماصة. لا تدع السائل يلامس البشرة.
4. انقل السائل إلى طريقة التخلص الصحيحة.
5. أزل الزجاج المكسور باستخدام الملاقط. قم بإزالة أي سائل متبقي على الجهاز. لا تدع السائل يلامس البشرة.

7.2 قياس درجة حرارة كتلة التسخين

قم بقياس درجة حرارة كتلة التسخين للتأكد من صحة درجة الحرارة المعروضة على الشاشة. درجة الحرارة المعروضة على الشاشة هي درجة الحرارة في خلية عينة مغلقة معبأة بسائل. أثناء زيادة درجة حرارة كتلة التسخين، قد تكون درجة حرارة كتلة التسخين، بالقرب من سخان، أكبر من درجة الحرارة المعروضة على الشاشة. الأدوات المطلوبة:

- خلية عينة (2275800)
- جليسرول (لامائي)، 5 مل
- مقياس حرارة، من نوع الساق، تمت معايرته لدرجة حرارة 95 إلى 170 درجة مئوية (203 إلى 338 درجة فهرنهايت)

لقياس درجة حرارة كتلة التسخين:

قطع الغيار

الوصف	الكمية	رقم العنصر
غطاء واقي	1	LZT048

الملحقات

الوصف	الكمية	رقم العنصر
مهايئ ثقيل، 20 < 16 مم	1	HHA155
محول ثقيل، 16 < 13 مم	1	2895805
الأنبوب، 16 × 100 مم	1	2275800
الأنبوب، 16 × 100 مم	6	2275806
مقياس حرارة، من 0 إلى 200 درجة مئوية	1	4565500

HACH COMPANY World Headquarters

P.O. Box 389, Loveland, CO 80539-0389 U.S.A.

Tel. (970) 669-3050

(800) 227-4224 (U.S.A. only)

Fax (970) 669-2932

orders@hach.com

www.hach.com

HACH LANGE GMBH

Willstätterstraße 11

D-40549 Düsseldorf, Germany

Tel. +49 (0) 2 11 52 88-320

Fax +49 (0) 2 11 52 88-210

info-de@hach.com

www.de.hach.com

HACH LANGE Sàrl

6, route de Compois

1222 Vérenaz

SWITZERLAND

Tel. +41 22 594 6400

Fax +41 22 594 6499

